

Cougar® P Series Piston Vibrators

Tough materials that are sticky, coarse, and high in moisture content require linear force to flow freely. Powerful [Cougar® P Series Piston Vibrators](#) provide the force that activates free flow of such materials.

BENEFITS

- **Economical**
Low initial cost, plus labor savings by eliminating pounding, poking, and sledging of hoppers, ensures material flow with a cost savings.
- **Minimal Maintenance**
Limited maintenance required for life of the vibrator when used with filtered and lubricated air.
- **Reduce Hopper Damage**
Reduce equipment damage caused by sledging and poking.
- **Versatility**
Variable control of force and frequency to meet a variety of material conditions.



PERFORMANCE DATA

| Model | Starting | 40 psi (2.76 bar) | | | 60 psi (4.14 bar) | | | 80 psi (5.51 bar) | | | db† | Weight lb (kg) | Inlet Size in. (mm) |
|---|--------------|-------------------|-----------------|---------------|-------------------|-----------------|---------------|-------------------|-----------------|---------------|-----|----------------|---------------------|
| | | Speed VPM | cfm (L/sec) | Force lb (kg) | Speed VPM | cfm (L/sec) | Force lb (kg) | Speed VPM | cfm (L/sec) | Force lb (kg) | | | |
| With or without optional internal starter spring* | | | | | | | | | | | | | |
| P-1.25 | 4 (0.27) | 4200 | 4.5 (2.12) | 180 (82) | 5000 | 6.3 (2.97) | 230 (104) | 5500 | 8.5 (4.01) | 290 (132) | 101 | 5 (2.27) | 1/4 (6) |
| P-2 | 4 (0.27) | 2100 | 6.4 (3.02) | 260 (118) | 2600 | 9.5 (4.48) | 375 (170) | 2800 | 13.0 (6.13) | 490 (222) | 103 | 16 (7.26) | 1/4 (6) |
| P-3 | 6 (0.41) | 1850 | 9.1 (4.29) | 570 (258) | 2000 | 17.0 (8.02) | 810 (367) | 2200 | 21.0 (9.91) | 985 (447) | 106 | 43 (19.50) | 3/8 (10) |
| P-4 | 10 (0.69) | 1500 | 22.0 (10.38) | 1330 (603) | 1750 | 25.0 (11.80) | 2010 (912) | 1900 | 42.0 (19.82) | 2200 (998) | 118 | 106 (48.08) | 1/2 (13) |
| With optional noise reduction feature** | | | | | | | | | | | | | |
| P-1.25Q | 4 (0.27) | 2500 | 4.5 (2.12) | 95 (43) | 2800 | 6 (2.83) | 130 (59) | 3200 | 8 (3.78) | 170 (77) | 85 | 5 (2.27) | 1/4 (6) |
| P-2Q | 4 (0.27) | 2000 | 6.0 (2.83) | 190 (86.2) | 2100 | 9 (4.25) | 250 (114) | 2200 | 11 (5.19) | 300 (136) | 87 | 16 (7.26) | 1/4 (6) |
| P-3Q | 6 (0.41) | 1450 | 8.5 (4.01) | 280 (127) | 1600 | 15.0 (7.08) | 390 (177) | 1700 | 17 (8.12) | 500 (227) | 92 | 43 (19.50) | 3/8 (10) |
| P-4Q | 10 (0.69) | 1000 | 20.0 (9.44) | 590 (267) | 1100 | 22 (10.38) | 820 (372) | 1150 | 42 (19.82) | 1000 (453) | 97 | 106 (48.08) | 1/2 (13) |

* A Cougar® P Series Piston Vibrator will operate in virtually any position once it is started. If adverse temperatures (150° to 250°F) prevail or if the vibrator is infrequently used or mounted horizontally, a piston starter spring is recommended. To order a Cougar® P Series Piston Vibrator with a starter spring, simply put an "S" at the end of the model number (example, P-1.25S).

† Decibels measured at 4 ft and 60 psi on a 10,000 lb test block.

The Cougar® P Series Piston Vibrator is also available in a single-impacting version. Simply designate "SI" at the end of the model number (example, P-1.25SI). The starter spring is standard with these models.

** When noise levels of the standard piston units are objectionable, specify the air-cushioned model. This noise reduction feature eliminates metal-to-metal impact, staying well within OSHA requirements. A "Q" in the model number of a Cougar® P Series Piston Vibrator designates it is an air-cushioned unit (example P-1.25Q). All air-cushioned units are equipped with a piston starter spring to ensure instant starting.

All Cougar® P Series Piston Vibrators must be operated by filtered and lubricated air.

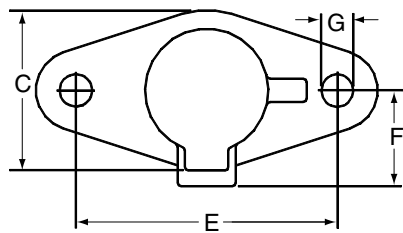
TECHNICAL DATA SHEET

DIMENSIONS—in. (mm)

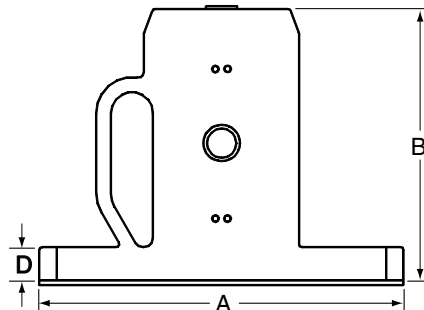
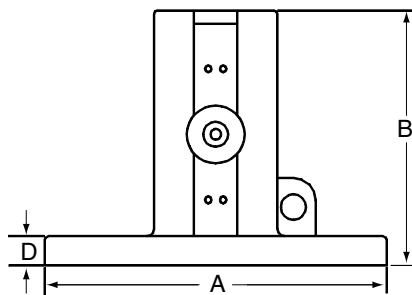
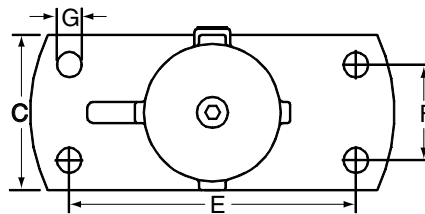
| Model | A | B | C | D | E | F | G |
|--------|----------------|----------------|---------------|--------------|----------------|---------------|---------------------|
| P-1.25 | 5.88 (149) | 4.38 (111) | 2.75 (70) | 0.50 (13) | 4.49 (114) | 1.65 (42) | 0.56—9/16 (14) |
| P-2 | 9.50 (241) | 6.50 (165) | 4.00 (102) | 0.69 (18) | 7.50 (191) | 2.25 (57) | 0.69—11/16 (18) |
| P-3 | 10.00 (254) | 8.50 (216) | 5.00 (127) | 1.00 (25) | 7.75 (197) | 3.25 (83) | 0.93—15/16 (24) |
| P-4 | 15.25 (387) | 11.36 (289) | 6.50 (165) | 1.40 (36) | 12.00 (305) | 4.00 (102) | 1.06—1-1/16 (27) |

See the operator's manual for application information and mount selection.

P-1.25 and P-2 Models



P-3, P-3SI, P-3Q, P-3QM and P-4 Models



Martin Engineering USA
 One Martin Place
 Neponset, IL 61345-9766 USA
 800 544 2947 or 309 852 2384
 Fax 800 814 1553
 www.martin-eng.com

**COMPANY WITH
 QUALITY SYSTEM
 CERTIFIED BY DNV
 = ISO 9001:2008 =**

Problem Solved™ GUARANTEED!

Form No. L3155-09/12
 © Martin Engineering Company 1999, 2012