

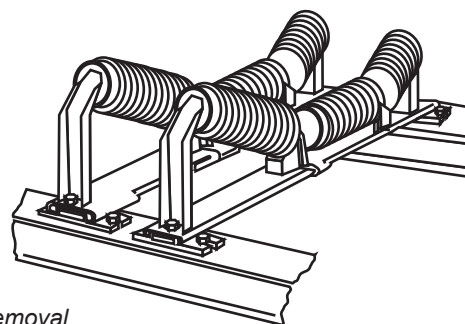
Martin® Trac-Mount™ Idlers



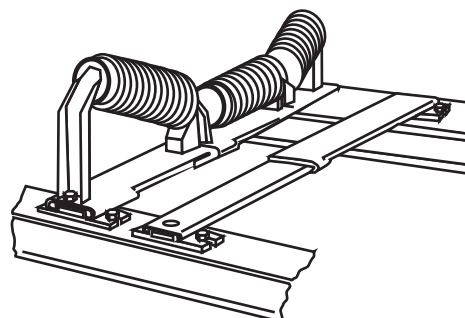
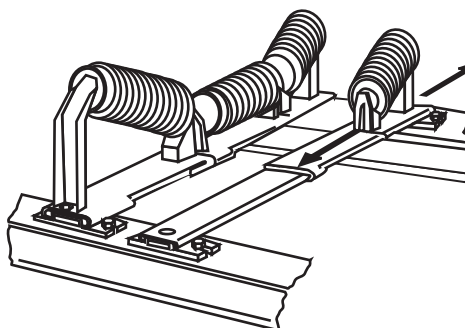
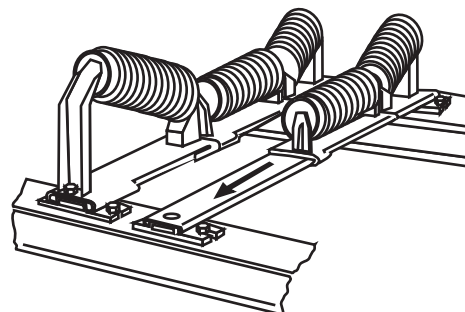
Martin® Trac-Mount™ Idlers utilize sliding frames on a stationary base to provide an idler set that will fit in tight spaces between belt support cradles and allows easy installation and service. Trac-Mount™ Idlers are available with standard or wide base frames and utilize impact or steel rolls in CEMA class A, B, C, D, or E.

BENEFITS

- **Allows Close Spacing**
Slide-in frames need only eight inches (203 mm) of width for 6-inch (152 mm) rolls.
- **Improves System Serviceability**
Slide-out/slide-in roller frames allows idler service without need to raise belt or remove adjacent idlers.
- **Prevents Fugitive Material**
Trac-Mount™ Idlers provide proper belt carriage while they stabilize the belt line to improve sealing.
- **PPI Rolls Now Standard**
Assemblies are supplied with steel or impact rolls from Precision Pulley and Idler.



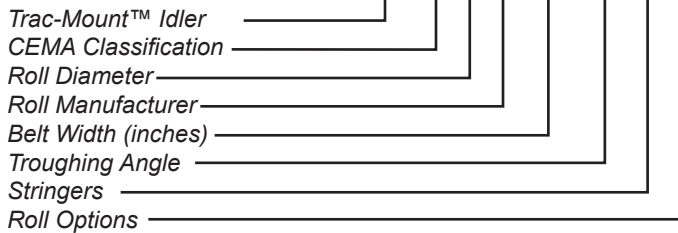
Idler Removal



TECHNICAL DATA SHEET

NOMENCLATURE

TMI X X P XX XX X X



CEMA CLASSIFICATION:

A, B, C, D, or E

ROLL DIAMETER:

5, 6, or 7 in.

ROLL MANUFACTURER:

P: Precision Pulley and Idler

STRINGERS:

S: Standard Base (Belt Width + 9 in.)

W: Wide Base (Belt Width + 15 in.)

ROLL OPTIONS:

S: Steel Rolls

I: Impact Rolls

C: Combination Rolls

F: Frame Only

*For Picking Idler Option, please speak with your
Martin Engineering Representative.*

ORDER INFORMATION

| | |
|---|--|
| Conveyor Criteria: Belt Width Trough Angle CEMA Rating Stringer Dimensions | Roller Criteria Idler Manufacturer Model No. CEMA Class Roller Type Bearing Lubrication |
| <i>Or complete an Idler Data Sheet (Form EN-R7) and return it to Martin Engineering.</i> | |
| <i>Please note any special requirements (i.e. special frame material, paint color, etc.).</i> | |

CUSTOM ENGINEERING

Martin Engineering can custom-design Martin® Trac-Mount™ Idlers to meet unique application requirements. Options include steel construction, frames with adjustable angle, rolls from alternative suppliers, or other special needs. Discuss your application with a Martin Engineering representative.



Martin Engineering USA

One Martin Place
Neponset, IL 61345-9766 USA
800 544 2947 or 309 852 2384
Fax 800 814 1553
www.martin-eng.com

**COMPANY WITH
QUALITY SYSTEM
CERTIFIED BY DNV
= ISO 9001:2008 =**

Problem Solved™ GUARANTEED!

Form No. L3298-14-08/12
© Martin Engineering Company 1997, 2012