

Skirting System Selection Guide

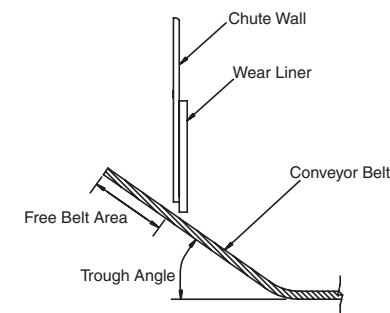
Skirting Type	P/N	Material	Durometer Shore A	Max. Order Length**	Max. Belt Speed***	Temp. Range
SKIRTING SYSTEMS						
Martin® ApronSeal™ Single Skirting	100724	EPDM Rubber	70	300'	600	-20° to 250°F (-29° to 121°C)
Martin® ApronSeal™ Single Skirting	100724-0660	EPDM Rubber	60	300'	600	-20° to 250°F (-29° to 121°C)
Martin® ApronSeal™ Single Skirting - High Temp*	100724-XXH	High-Temp Rubber	80	12' & 24'	700	-70° to 400°F (-57° to 204°C)
Martin® ApronSeal™ Single Skirting - Food Grade*	100724-XXF	Food-Grade Rubber	65	12' & 24'	600	-70° to 275°F (-57° to 135°C)
Martin® ApronSeal™ Single Skirting HD	100723	EPDM Rubber	70	300'	750	-20° to 250°F (-29° to 121°C)
Martin® ApronSeal™ Single Skirting HD	100808	EPDM Rubber	70	300'	750	-20° to 250°F (-29° to 121°C)
Martin® ApronSeal™ Single Skirting HD	100808-60	EPDM Rubber	60	300'	750	-20° to 250°F (-29° to 121°C)
Martin® ApronSeal™ Single Skirting HD*	100723-XXM	MSHA-Approved	60	300'	750	-20° to 250°F (-29° to 121°C)
Martin® ApronSeal™ Single Skirting XHD	100845	EPDM Rubber	60	200'	750	-20° to 250°F (-29° to 121°C)
Martin® ApronSeal™ Double Skirting	100873	EPDM Rubber	70	300'	600	-20° to 250°F (-29° to 121°C)
Martin® ApronSeal™ Double Skirting HD	100861	EPDM Rubber	70	300'	750	-20° to 250°F (-29° to 121°C)
Martin® Self Adjusting Skirting	37911-R	EPDM Rubber	70	100'	600	-20° to 250°F (-29° to 121°C)
REPLACEMENT RUBBER						
Rubber Secondary*	100746	SBR Rubber	75	300'	600	-20° to 250°F (-29° to 121°C)
DCI Replacement*	100736	SBR Rubber	75	300'	600	-20° to 250°F (-29° to 121°C)
ARGONICS SNAP-LOC™ Dust Seal Replacement*	100792	SBR Rubber	60	300'	600	-20° to 250°F (-29° to 121°C)

Notes: Part Numbers with XX: Replace "XX" with 12 or 24 for skirt length. * Skirting System Not Shown. ** Order by 1-foot increments up to 300-foot lengths, except those noted 12 and 24 foot only. *** If your belt speed exceeds what is listed above, please contact Martin Engineering.

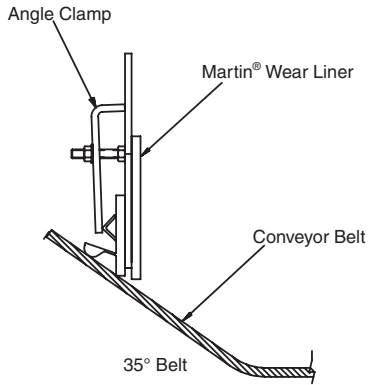
Free Belt Area: Space between the outside chute wall and the edge of the conveyor belt. Information given assumes there is no belt wander.

Trough Angle: The angle at which the belt edges are elevated to carry the material load.

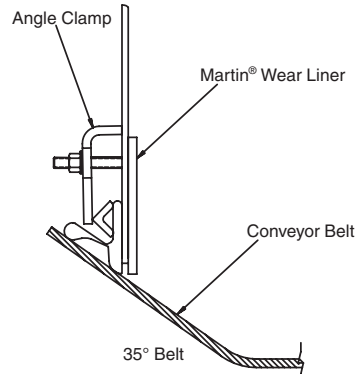
Wear Liner: Martin Engineering recommends the use of properly installed wear liner inside the chute to protect the skirtboard sealing system.



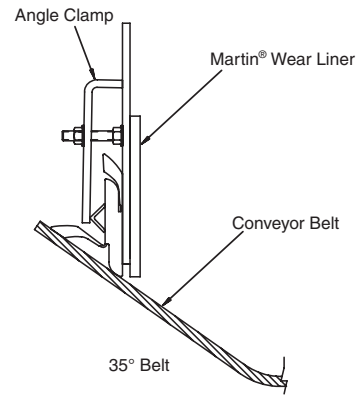
**Martin® ApronSeal™
Single Skirting**



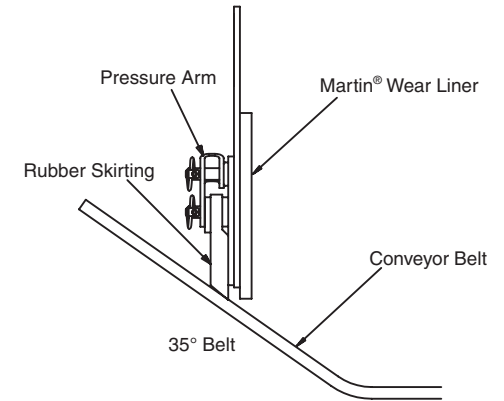
**Martin® ApronSeal™
Single Skirting HD**



**Martin® ApronSeal™
Double Skirting**



**Martin® Self-Adjusting
Skirting**



MINIMUM FREE BELT AREA—IN. (MM)

Trough Angle	Martin® ApronSeal™ Skirting					Martin® Self-Adjusting Skirting
	Single Skirting	Single Skirting HD	Single Skirting XHD	Double Skirting	Double Skirting HD	
0°	2.14 [54]	2.97 [76]	3.50 [89]	2.14 [54]	2.97 [76]	1.50 [38]
20°	2.58 [66]	3.74 [95]	4.25 [108]	2.58 [66]	3.74 [95]	1.50 [38]
35°	2.87 [73]	4.18 [106]	4.75 [121]	2.87 [73]	4.18 [106]	1.50 [38]
45°	3.01 [77]	4.38 [111]	5.00 [127]	3.01 [77]	4.38 [111]	1.50 [38]



Martin Engineering USA
One Martin Place
Neponset, IL 61345-9766 USA
800 544 2947 or 309 852 2384
Fax 800 814 1553
www.martin-eng.com

SNAP-LOC™ is a trademark of Argonics, Inc.,
Maquette, MI, U.S.A. who is not affiliated with
Martin Engineering in any way.

**COMPANY WITH
QUALITY SYSTEM
CERTIFIED BY DNV
= ISO 9001:2008 =**

Problem Solved™ GUARANTEED!

Form No. L3636-08/12
© Martin Engineering Company 2010, 2012