

Martin® DT2 Inline Cleaner XHD



The **Martin® DT2 Inline Cleaner XHD** features rugged blades installed on a track that slides into cleaning position on a rugged steel mandrel. This unique design makes for a quick and easy service procedure that reduces conveyor downtime and improves productivity.

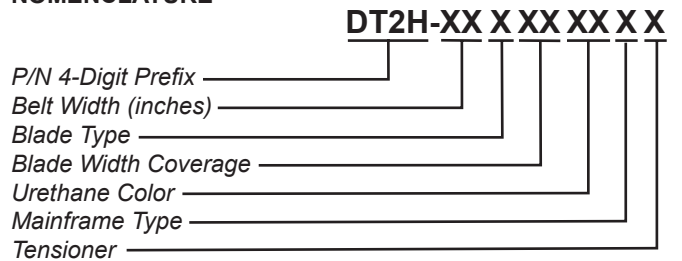
BENEFITS

- Removes Carryback, Saves Cleanup**
 Effective belt cleaning reduces plant cleanup chores and prolongs life of conveyor components.
- Reduces Downtime for Service**
 Slide-in/slide-out mandrel allows quick and easy blade replacement to increase conveyor availability. With on-site safety approvals, blades can be changed while the belt runs.
- Slide-Out/Slide-In Blade Change**
 Individual blade segments slide into sturdy track-forming cartridge. This cartridge slides over stainless steel mainframe into cleaning position.
- Split Track Cartridge**
 Split track cartridge design allows simple blade removal even with material accumulation.
- Built Strong for Tough Conditions**
 Massive Martin® XHD Blades stand up to challenging conditions, including heavy material loads and belt speeds up to 1200 fpm (6 m/sec).

Martin® DT2
Inline Blade XHD



NOMENCLATURE



Blade Type

- T:** Tungsten Carbide Reversing Blade
- A:** Inline Tungsten Carbide Blade
- U:** Urethane Reversing Blade

Urethane Color

- BR:** Brown
- GR:** Green
- OR:** Orange

Mainframe

- P:** Painted

Tensioner Type

- A:** Air Tensioner
- S:** Spring Tensioner

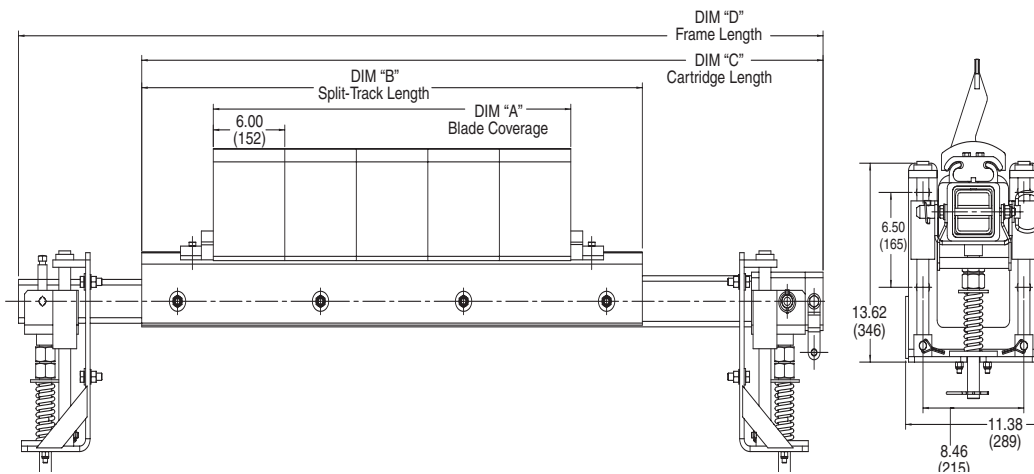
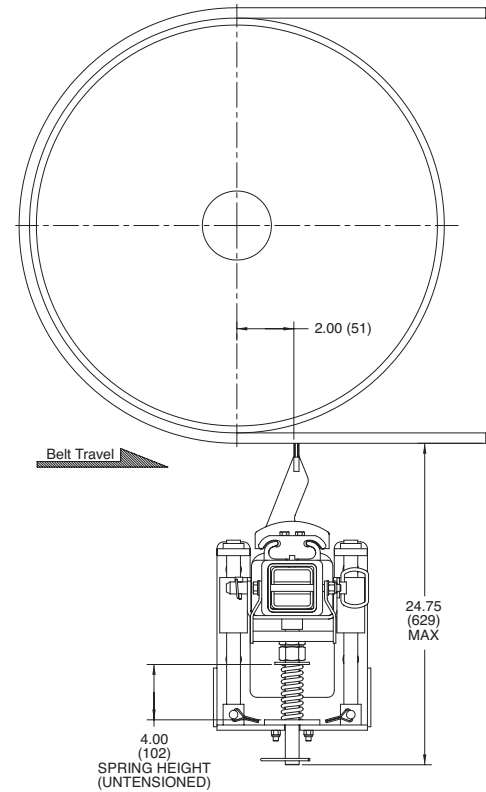
ORDER INFORMATION

Item	P/N
Cleaner Assembly (includes tensioner)	DT2H-XXXXXXXXX
Martin® Inline Replacement Blade	36937-T (Tungsten Carbide)
Martin® DT2 Reversing Replacement Blade	32494-TXX (Tungsten Carbide) 32494-06U (Urethane)

TECHNICAL DATA SHEET

DIMENSIONS

Belt Width	Blade Coverage	No. of Blades	Max Mainframe Length	Weight w/o Tensioner
18"	12 (305)	2	49.50 (1257)	84.3
	18 (457)	3		91.3
24"	18 (457)	3	55.5 (1410)	101.3
	24 (610)	4		108.3
30"	24 (610)	4	61.50 (1562)	118.5
	30 (762)	5		125.5
36"	30 (762)	5	67.50 (1715)	135.5
	36 (914)	6		142.5
42"	36 (914)	6	73.50 (1867)	152.7
	42 (1067)	7		159.7
48"	42 (1067)	7	79.50 (2019)	169.7
	48 (1219)	8		176.7
54"	48 (1219)	8	85.50 (2172)	186.9
	54 (1372)	9		193.9
60"	54 (1372)	9	91.50 (2324)	203.9
	60 (1524)	10		210.9
66"	60 (1524)	10	97.50 (2477)	221.1
	66 (1676)	11		228.1
72"	66 (1676)	11	103.50 (2629)	238.1
84"	78 (1981)	13	115.50 (2934)	272.3
96"	90 (2286)	15	127.50 (3239)	306.6



Martin Engineering USA
 One Martin Place
 Neponset, IL 61345-9766 USA
 800 544 2947 or 309 852 2384
 Fax 800 814 1553
 www.martin-eng.com

**COMPANY WITH
 QUALITY SYSTEM
 CERTIFIED BY DNV
 = ISO 9001:2008 =**

Problem Solved™ GUARANTEED!

Form No. L3690-08/12
 © Martin Engineering Company 2002, 2012