

# Martin® Tornado Air Cannon

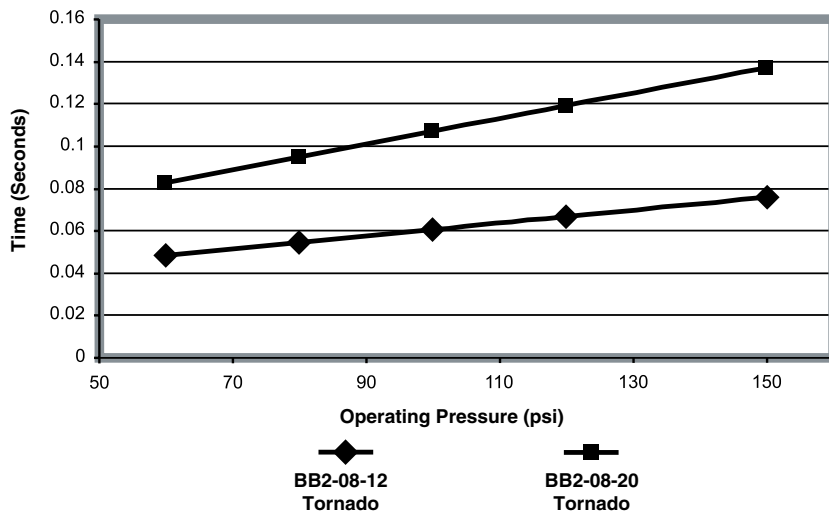


**2-INCH VALVE**

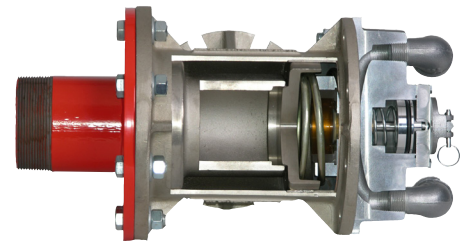
The [Martin® Tornado Air Cannon](#) produces better material flow with greater force, faster cycling, and improved safety. The Martin® Tornado Air Cannon fires when the exhaust valve opens in response to a positive surge of air sent by a tripped solenoid valve. This positive-acting valve amplifies the discharge force, up to 20% more force than a standard Martin® XHV Air Cannon of the same size.

## PERFORMANCE DATA

### Discharge Time



Martin® Tornado Exhaust Valve

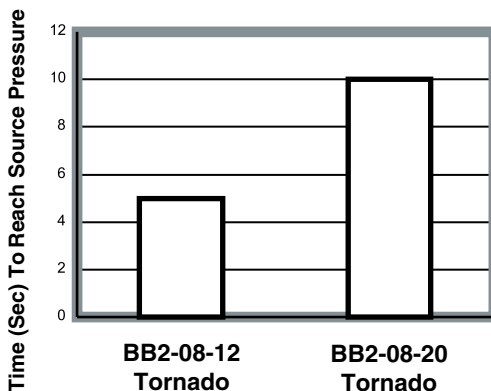


Unit shown as cutaway to show internal parts.

### BENEFITS

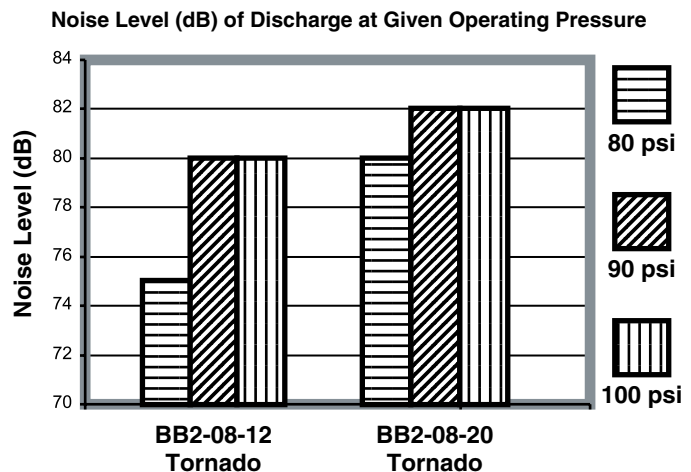
- Increased Safety
- Increased Force Output
- Suitable for High Temperatures
- Easy Installation and Maintenance
- Cycle Guarantee
- Faster Fill Times

### Tank Fill Time\*



\* Data based on laboratory testing. Fill times may vary depending on air supply characteristics.

### Noise Level

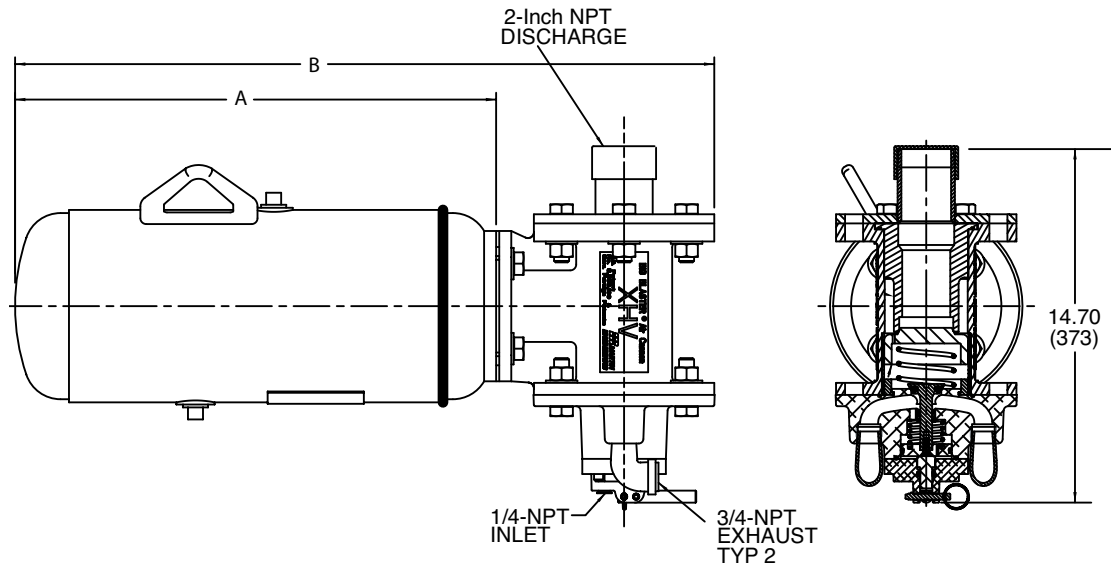


# TECHNICAL DATA SHEET

## DIMENSIONS

NPT—National Pipe Thread

Model	Assembly P/N	Dimensions		Ship WT. lbs (kg)	
		A	B		
BB2-08-12	37864-0812	12 (305)	21.07 (535)	50 (23)	
BB2-08-20	37864-0820	20 (508)	29.07 (738)	57 (26)	



## AIR VOLUME IN FT<sup>3</sup> (LITERS) FREE AIR

Air Pressure PSI	0812 Tank ft <sup>3</sup> (L)	0820 Tank ft <sup>3</sup> (L)
0	0.3 (8)	0.5 (15)
40	1.1 (31)	1.9 (55)
50	1.3 (37)	2.3 (65)
60	1.5 (43)	2.6 (75)
70	1.7 (49)	3.0 (85)
75	1.8 (51)	3.2 (90)
80	1.9 (54)	3.3 (95)
85	2.0 (57)	3.5 (100)
90	2.1 (60)	3.7 (105)
95	2.2 (63)	3.9 (110)
100	2.3 (66)	4.1 (115)
110	2.5 (72)	4.4 (125)
120	2.7 (77)	4.8 (135)

## NOTES

Tanks for Martin® Air Cannons supplied by Martin Engineering are manufactured to ASME Code Rules, Section VIII, Division 1. Tanks are National Board registered and pressure vessel quality (PVQ).

For further information, contact Martin Engineering at 1-800-544-2947 or visit our website at [www.martin-eng.com](http://www.martin-eng.com).



### Martin Engineering USA

One Martin Place  
Neponset, IL 61345-9766 USA  
800 544 2947 or 309 852 2384  
Fax 800 814 1553  
[www.martin-eng.com](http://www.martin-eng.com)

**COMPANY WITH  
QUALITY SYSTEM  
CERTIFIED BY DNV  
= ISO 9001:2008 =**

**Problem Solved™ GUARANTEED!**

Form No. L3723-06/12  
© Martin Engineering Company 2006, 2012