

Martin® PV Cleaner

Engineered to simplify blade service and reduce costs, the [Martin® PV Cleaner](#) provides quick and easy “one-pin, no-tool” blade replacement.

Affordably-priced cleaner saves money on purchase of system and on price of replacement blades.

“One-pin” attachment means fast and easy maintenance, less downtime for blade service; no more fighting rusty bolts and no more lost fasteners.

In-stock assemblies are available for quick shipment to keep your system running clean.

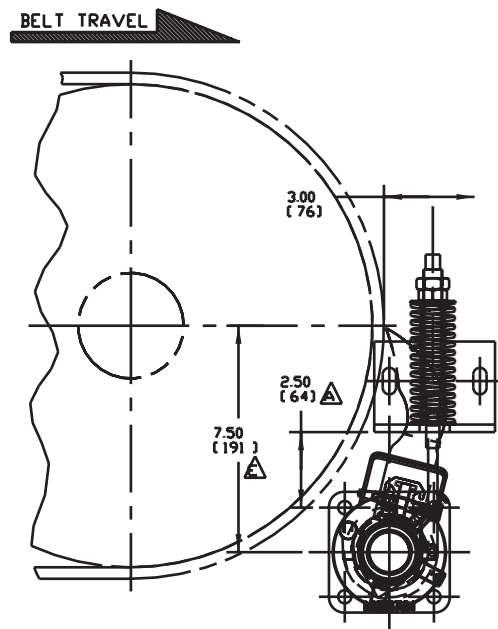
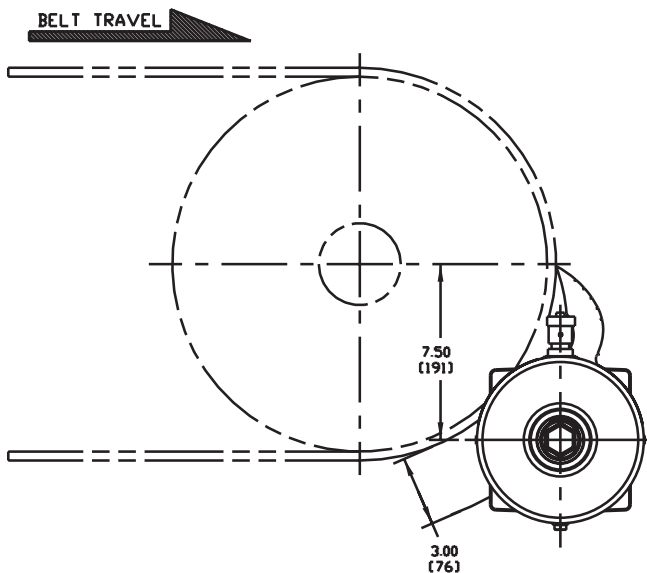
Full assemblies complete with tensioners. Match cleaning width to conveyor load profile.



Martin® PV Cleaner with CARP Blade and Martin® Twist Tensioner

SPECIFICATIONS

Maximum Belt Speed	500 fpm (2.54 m/s)
Max. Service Temperature	
constant:	150°F (66°C)
intermittent:	180°F (82°C)
Maximum Pulley Diameter	16 in (400 mm)
Mounting Distance	2.75-3 in (70-76 mm)

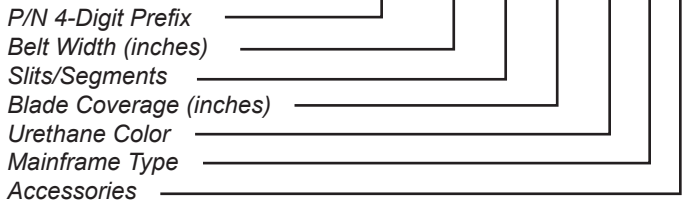


TECHNICAL DATA SHEET

ORDER INFORMATION

Item	P/N
For belt widths 18–54 in. (400–1600) assembly includes: Martin® PV Cleaner with Blade on Mainframe and Martin® Spring Cable Tensioner	PV1S-XXXXXXXXXXC
For belt widths 18–72 in. (400–2000) assembly includes: Martin® PV Cleaner with Blade on Mainframe and Martin® Twist Tensioner	PV1S-XXXXXXXXXT

NOMENCLATURE



BLADE TYPE

- Ø: No Blade
- 11: Solid Blade
- 10: Segments Only
- 01: Slits Only
- 00: Slits and Segments

URETHANE COLOR

- Ø: No Blade
- OR: Orange
- BR: Brown
- CL: Tan
- NB: Navy Blue
- GR: Green

MAINFRAME TYPE

- Ø: No Mainframe
- P: Painted Mainframe

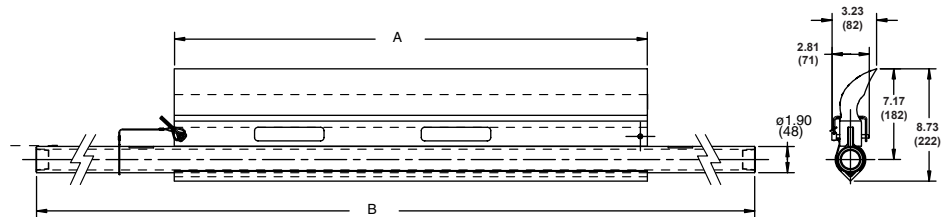
ACCESSORIES

- Ø: No Options
- C: Spring Cable Tensioner
- T: Twist Tensioner

REPLACEMENT BLADES

PV-XXXXXXXX

Replace first two Xs with Belt Width, second two Xs with Slits/Segments, third two Xs with Belt Coverage, and last two Xs with Urethane Color.



PV1S-361134XXXX SHOWN

MARTIN® PV CLEANER DIMENSIONS—IN. (MM)

P/N	Belt Width in. (mm)	A in. (mm)	B in. (mm)	Shipping Weight w/o Tensioner: lb (kg)
PV1S-18XX12XXXX	18 (400-500)	12 (305)	48 (1219)	22 (10)
PV1S-18XX16XXXX	18 (400-500)	16 (406)	48 (1219)	23 (10.5)
PV1S-24XX18XXXX	24 (500-650)	18 (457)	54 (1372)	27 (12)
PV1S-24XX22XXXX	24 (500-650)	22 (559)	54 (1372)	28 (13)
PV1S-30XX24XXXX	30 (650-800)	24 (610)	60 (1524)	32 (14.5)
PV1S-30XX28XXXX	30 (650-800)	28 (711)	60 (1524)	33 (15)
PV1S-36XX30XXXX	36 (800-1000)	30 (762)	66 (1676)	37 (17)
PV1S-36XX34XXXX	36 (800-1000)	34 (864)	66 (1676)	38 (17)
PV1S-42XX36XXXX	42 (1000-1200)	36 (914)	72 (1829)	42 (19)
PV1S-42XX40XXXX	42 (1000-1200)	40 (1016)	72 (1829)	43 (20)
PV1S-48XX42XXXX	48 (1200-1400)	42 (1067)	78 (1981)	47 (21)
PV1S-48XX46XXXX	48 (1200-1400)	46 (1168)	78 (1981)	48 (22)
PV1S-54XX48XXXX	54 (1400-1600)	48 (1219)	84 (2134)	52 (23.5)
PV1S-54XX52XXXX	54 (1400-1600)	52 (1321)	84 (2134)	53 (24)
*PV1S-60XX54XXXX	60 (1600-1800)	54 (1372)	90 (2286)	57 (25)
*PV1S-60XX58XXXX	60 (1600-1800)	58 (1473)	90 (2286)	58 (26)
*PV1S-72XX66XXXX	72 (1800-2000)	66 (1676)	102 (2591)	67 (30)
*PV1S-72XX70XXXX	72 (1800-2000)	70 (1778)	102 (2591)	68 (31)

* Available only with Martin® Twist or Spring Tensioner. Dual tensioners required on assemblies for belt widths 54 in. and above.

TECHNICAL DATA SHEET

TENSIONER OPTIONS

Item	P/N
Martin® Spring Cable Tensioner	37944
Martin® Twist Tensioner	38850

ACCESSORIES

Item	P/N
Martin® Inspection Door	CYA-0912XXXXX
Hanger Mount	27382

FREQUENTLY ASKED QUESTIONS

Can the Martin® PV Blade be used on the Martin® QC™ standard mainframe?

Yes, verify mounting location is 2.75 to 3.00 inches.

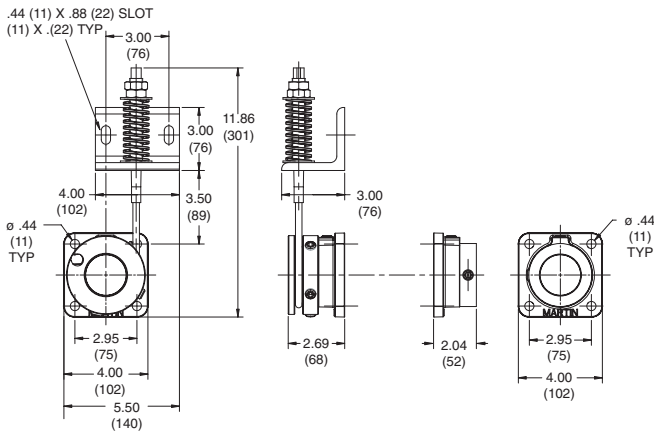
My Pre-Cleaner keeps flipping through. What is wrong?

The mounting location may be too far away from the belt. Relocate to the proper dimension. Replace the mainframe or end weldments if they are bent.

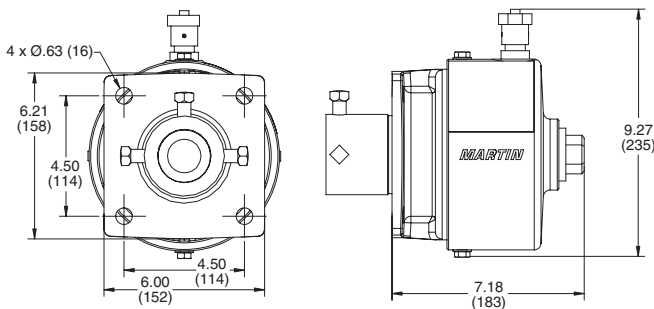
My Pre-Cleaner is wearing more in the center of the blade.

The blade is too wide for this application. Replace with a shorter length blade.

MARTIN® SPRING CABLE TENSIONER



MARTIN® TWIST TENSIONER



Martin Engineering USA
 One Martin Place
 Neponset, IL 61345-9766 USA
 800 544 2947 or 309 852 2384
 Fax 800 814 1553
 www.martin-eng.com

**COMPANY WITH
 QUALITY SYSTEM
 CERTIFIED BY DNV
 = ISO 9001:2008 =**

Problem Solved™ GUARANTEED!

Form No. L3736-12/12
 © Martin Engineering Company 2006, 2012