

martin[®]

Martin[®]
Impact Cradle HD

[Go to Martin[®] Impact Cradle HD web page](#)



Operator's Manual
M3629

Important

MARTIN ENGINEERING HEREBY DISCLAIMS ANY LIABILITY FOR: DAMAGE DUE TO CONTAMINATION OF THE MATERIAL; USER'S FAILURE TO INSPECT, MAINTAIN AND TAKE REASONABLE CARE OF THE EQUIPMENT; INJURIES OR DAMAGE RESULTING FROM USE OR APPLICATION OF THIS PRODUCT CONTRARY TO INSTRUCTIONS AND SPECIFICATIONS CONTAINED HEREIN. MARTIN ENGINEERING'S LIABILITY SHALL BE LIMITED TO REPAIR OR REPLACEMENT OF EQUIPMENT SHOWN TO BE DEFECTIVE.

Observe all safety rules given herein along with owner and Government standards and regulations. Know and understand lockout/tagout procedures as defined by American National Standards Institute (ANSI) z244.1-1982, *American National Standard for Personnel Protection - Lockout/Tagout of Energy Sources - Minimum Safety Requirements* and Occupational Safety and Health Administration (OSHA) Federal Register, Part IV, 29 CFR Part 1910, *Control of Hazardous Energy Source (Lockout/Tagout); Final Rule*.

The following symbols may be used in this manual:



Danger: Immediate hazards that will result in severe personal injury or death.



Warning: Hazards or unsafe practices that could result in personal injury.



Caution: Hazards or unsafe practices that could result in product or property damages.



Important: Instructions that must be followed to ensure proper installation/operation of equipment.



Note: General statements to assist the reader.

Table of Contents

Section	Page
List of Figures	ii
List of Tables	ii
Introduction	1
General	1
References	1
Impact Cradle Materials	1
Safety	1
Materials Required	1
Before Installing Impact Cradle	2
Installing Impact Cradle	3
Measuring Location	3
Installing Impact Bars	4
After Installing Impact Cradle	12
Maintenance	13
Troubleshooting/Installation Checklist	15
Part Numbers	16

List of Figures

Figure	Title	Page
1	Measuring for Martin [®] Impact Cradle HD	3
2	Martin [®] Impact Cradle HD Assembly, P/N 37357-XXXXXXX	17
3	Conveyor Products Warning Label, P/N 23395	22

List of Tables

Table	Title	Page
I	Martin [®] Impact Cradle HD Materials and Specifications.	1
II	Part Numbers and Quantities, Martin [®] Impact Cradle HD.	19

Introduction

General

The Martin[®] Impact Cradle HD is a layered, shock-absorbing conveyor belt transfer point product engineered for use in bulk solids handling industries.

References

The following documents are referenced in this manual:

- American National Standards Institute (ANSI) z244.1-1982, *American National Standard for Personnel Protection - Lockout/Tagout of Energy Sources - Minimum Safety Requirements*, American National Standards Institute, Inc., 1430 Broadway, New York, NY 10018.
- Federal Register, Volume 54, Number 169, Part IV, 29 CFR Part 1910, *Control of Hazardous Energy Source (Lockout/Tagout); Final Rule*, Department of Labor, Occupational Safety and Health Administration (OSHA), 32nd Floor, Room 3244, 230 South Dearborn Street, Chicago, IL 60604.

Impact Cradle Materials

Materials and specifications for the Martin[®] Impact Cradle HD are shown in Table I.

Table I. Martin[®] Impact Cradle HD Materials and Specifications

Characteristics		Bar With UHMW Top
MSHA-Accepted for Underground Use		NA
Coefficient of Friction		0.5
Service Temperature		-20 to 140°F (-29 to 60°C)
Bar Construction	Bearing Layer	UHMW Polyethylene
	Absorption Layer	50-Durometer SBR Rubber
	Sliding Sleeve	Steel
	Fasteners	0.5-in. dia. Screw

Safety

All safety rules defined in the above documents and all owner/employer safety rules must be strictly followed when working on this equipment.

Materials Required

Only standard hand tools are required to install and service this equipment.

Before Installing Impact Cradle

1. Inspect shipping container for damage. Report damage to delivery service immediately and fill out delivery service's claim form. Keep any damaged goods subject to examination.
2. Remove impact cradle from shipping container. Equipment in container should include the following:
 - Martin® Impact Cradle HD Assembly
 - Two Conveyor Products Warning Labels, P/N 23395
3. If anything is missing or damaged, contact Martin Engineering or a representative.
4. Make sure belt is centered on conveyor.
5. Access to both sides of the conveyor is required.



⚠ WARNING

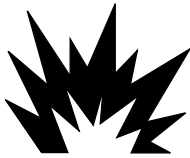
Before installing equipment, turn off and lock out/tag out energy source to conveyor and conveyor accessories.

6. Turn off and lock out/tag out energy source according to ANSI standards (see "References").

⚠ WARNING

If equipment will be installed in an enclosed area, gas level or dust content must be tested before using a cutting torch or welding. Using a cutting torch or welding in an area with gas or dust may cause an explosion.

7. If using a cutting torch or welding, test atmosphere for gas level or dust content. Cover conveyor belt with fire retardant cover.
8. If not already present, install an impact idler 1 in. (25 mm) ahead of and 1 in. (25 mm) behind impact cradle location.
9. Remove any unnecessary idlers. (Two Martin® Impact Cradles HD can replace up to four impact idlers.)



Installing Impact Cradle

IMPORTANT

Read entire section before beginning work.

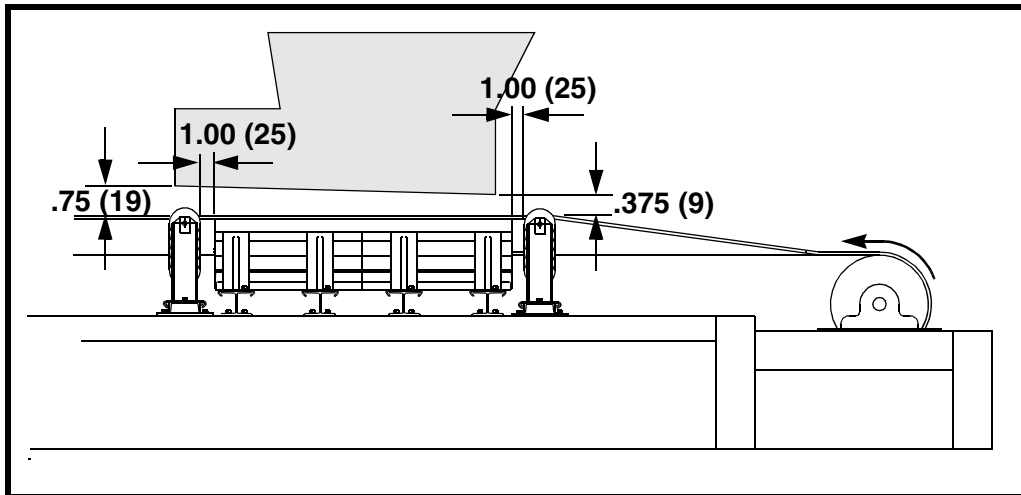


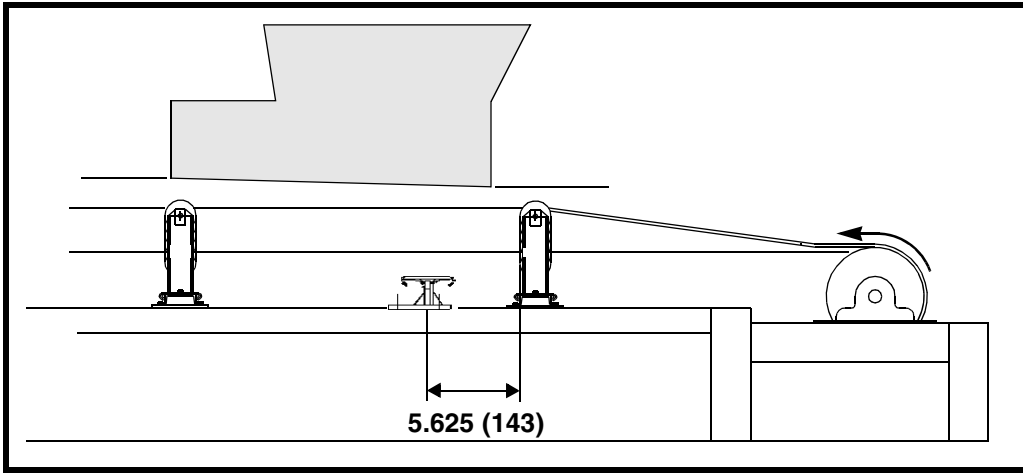
Figure 1. Measuring for Martin® Impact Cradle HD

Measuring Location

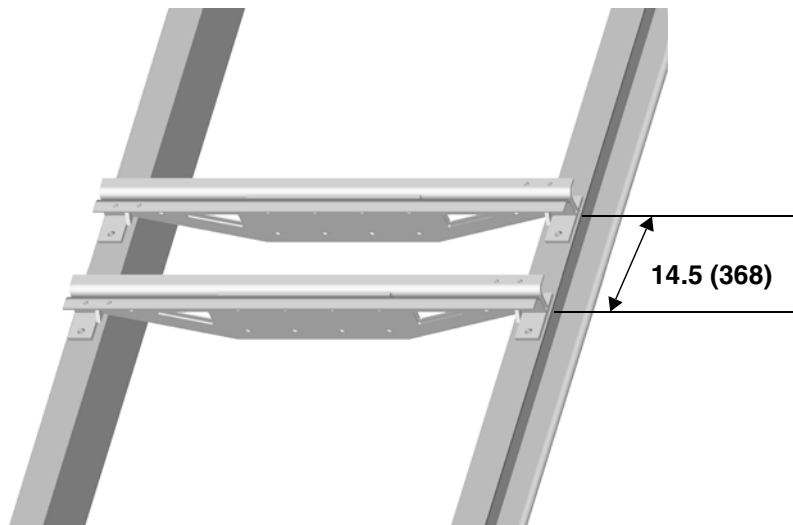


1. See Figure 1. Make sure chute walls and/or wear liners are correct distance above belt as shown. If necessary, modify chute walls and/or wear liners.

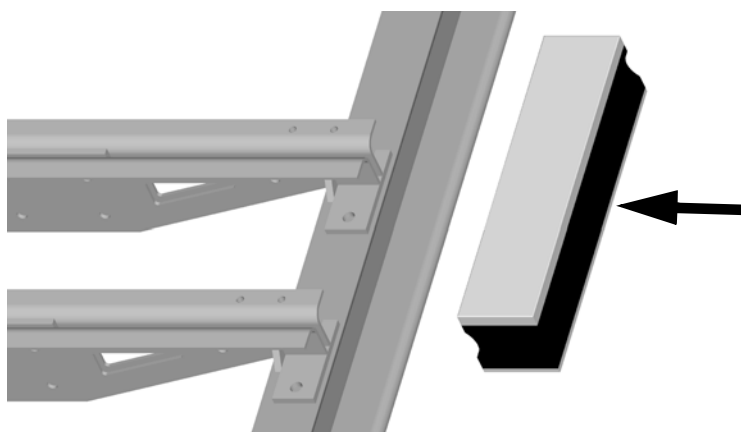
Installing Impact Bars



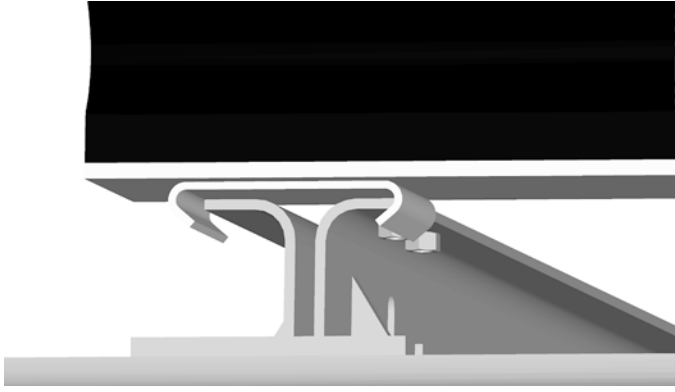
1. Slide first cross support in 5.625 in. (143 mm) from idler.



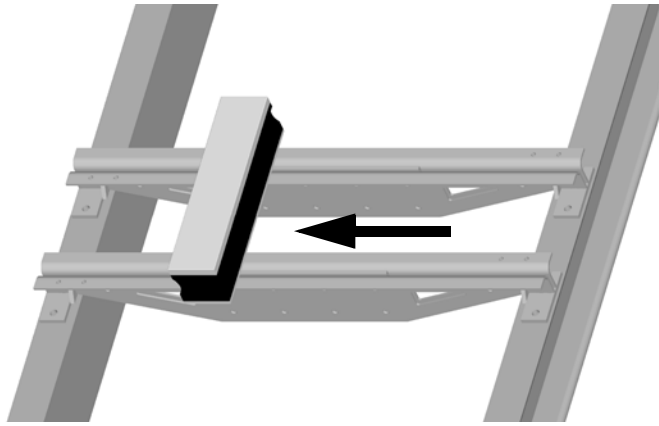
2. Slide second cross support in 14.5 in. (368 mm) from first cross support.
3. If removed for installation, install impact bars and/or wing section(s).



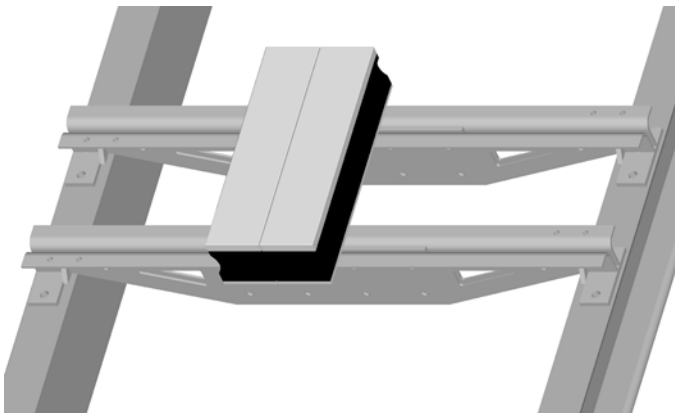
4. Add impact bar.



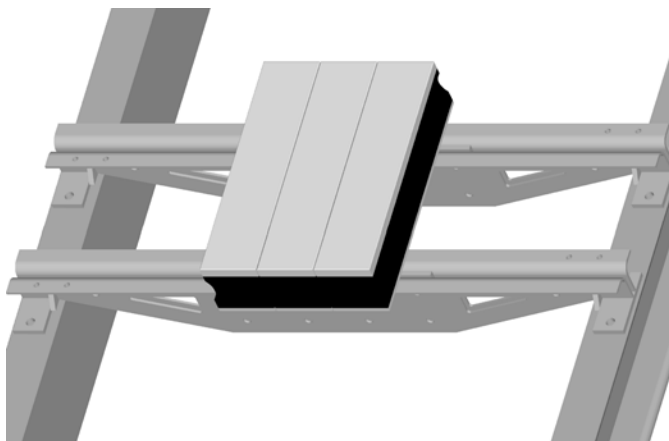
5. Align sleeves with tracks.



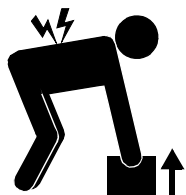
6. Slide bar into place.



7. Repeat for additional center bars.

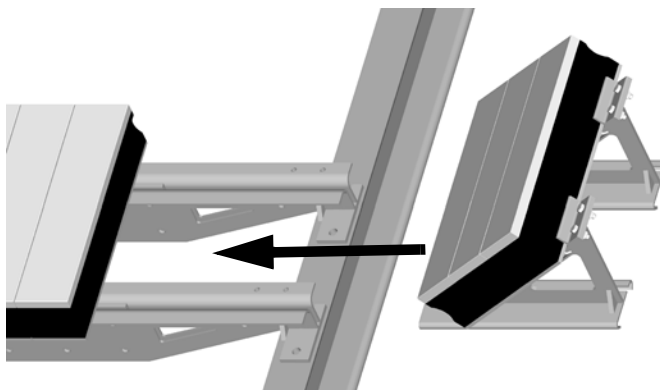


8. Make sure distance from top of center bar to bottom surface of unloaded belt measures 3/4 in. (19 mm) for troughed belts. If distance is greater than this, add shims under base weldment to raise impact cradle to appropriate height. (Shim Kit, P/N 34163-HD is available from Martin Engineering.) If distance is less than this, contact Martin Engineering or a representative.

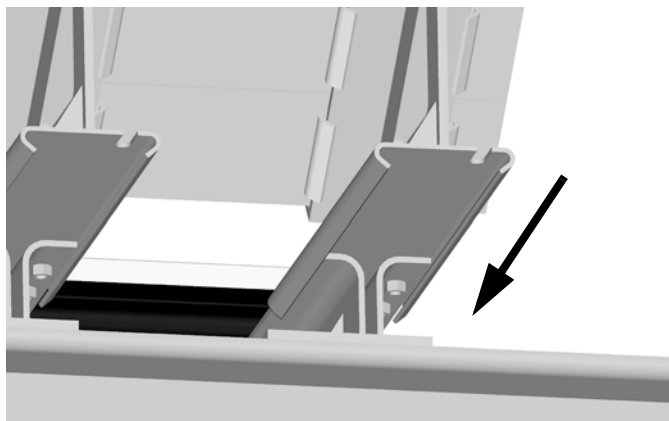


WARNING

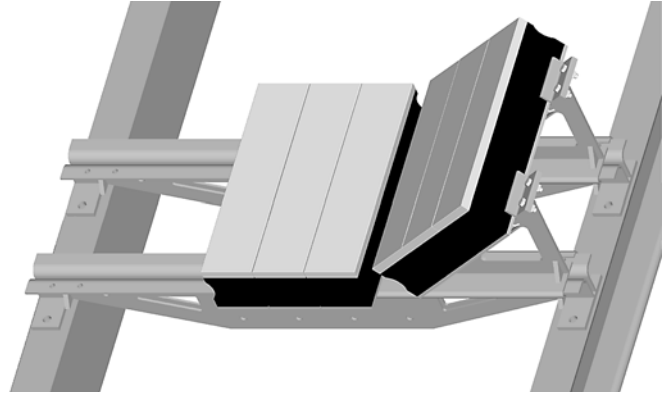
Components are heavy and require multiple persons or a hoist to lift. Attempting to lift alone could result in serious injury.



9. Add wing assembly.



10. Align sleeves with tracks.

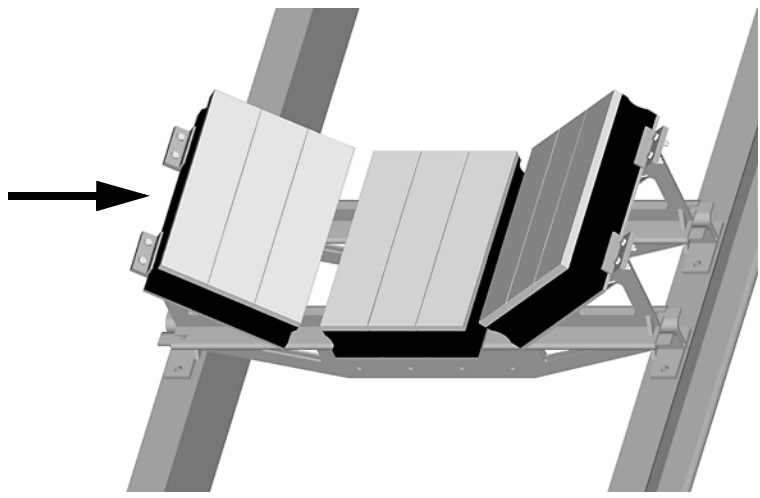


11. Slide wing into place.

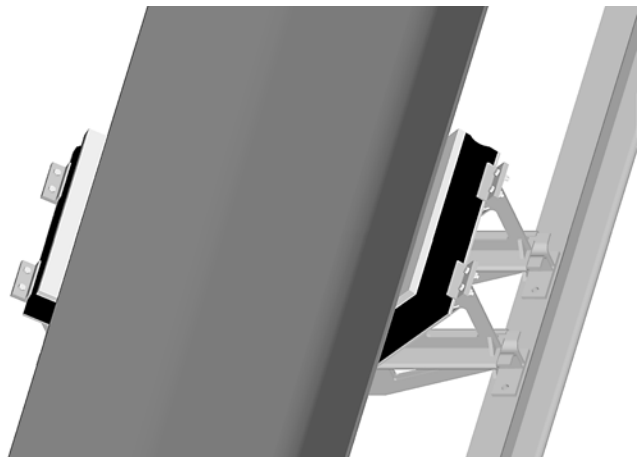


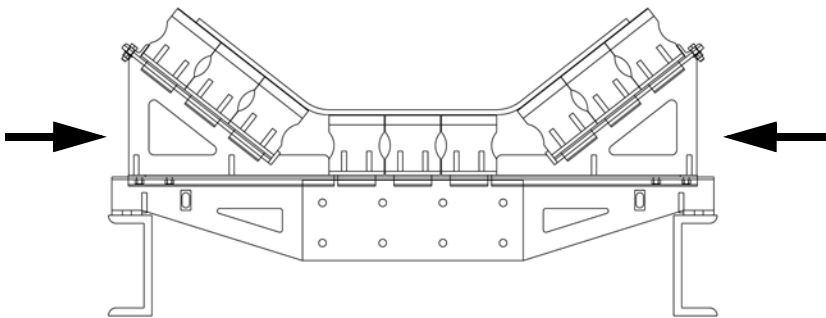
WARNING

Components are heavy and require multiple persons or a hoist to lift. Attempting to lift alone could result in serious injury.

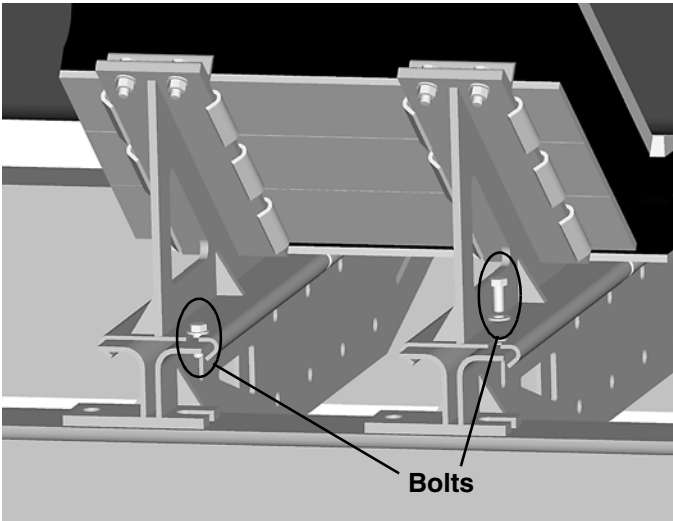


12. Repeat with other wing assembly.

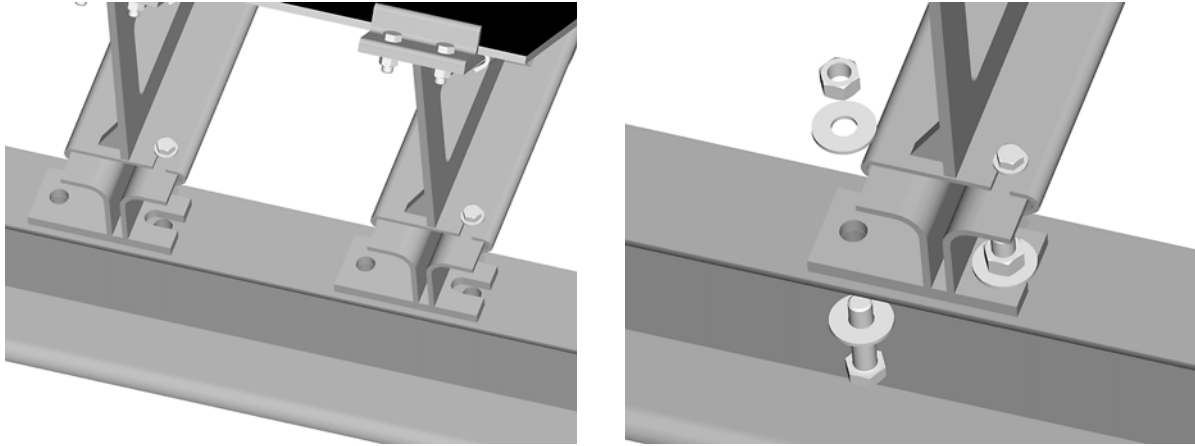




13. Center bars and wing assemblies with belt. Press together.



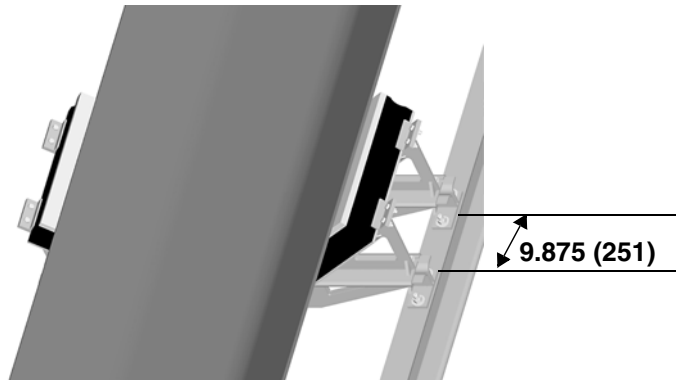
- 14. Secure sleeves to track with bolts.
- 15. Make sure base weldment cross supports are perpendicular to belt or bars will wear unevenly and maintenance will be difficult. Make sure center bars are centered below belt and are parallel to belt travel.



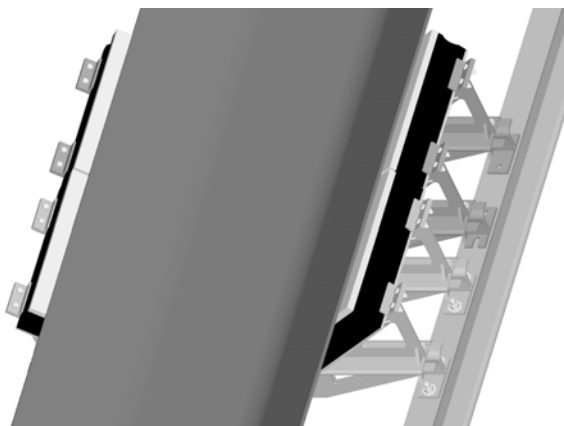
16. Bolt or weld base weldment to stringers as follows:
 - a. If bolting, drill or cut 7/8-in. (22 mm) holes in stringers through mounting holes in feet of base weldment cross supports. Install hex head cap screw, flat washer, compression washer, and hex nut in each hole to secure base weldment to stringers.
 - b. If welding, clean stringer of rust and dirt. Then stitch weld I-beams to stringers.

NOTE

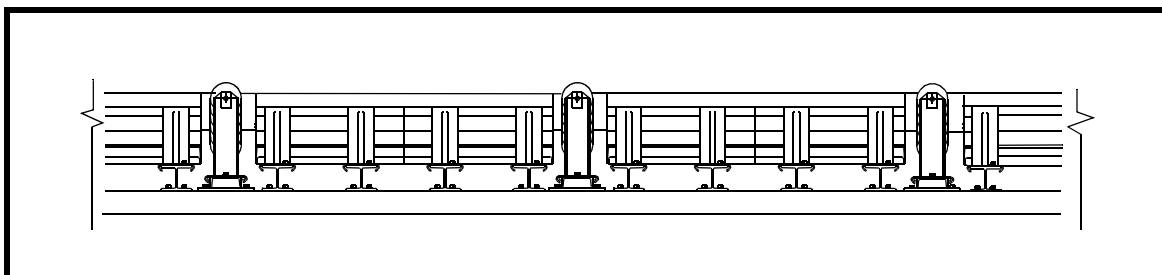
Martin Engineering recommends bolting rather than welding base weldment to stringers for easier accessibility and maintenance.



17. Slide cross support for second impact cradle into place 9.875 in. (251 mm) from existing cross support.



18. Repeat steps 2-16 in assembling second impact cradle.



19. If installing more than two impact cradles, place an impact idler between successive pairs of impact beds.

After Installing Impact Cradle

IMPORTANT

Read entire section before beginning work.

1. Thoroughly wipe outside chute walls clean above impact cradle on both sides of chute. Place a Conveyor Products Warning Label (P/N 23395) on each chute wall visible to belt operator.

WARNING

Failure to remove tools from installation area and conveyor belt before turning on energy source can cause serious injury to personnel and damage to belt.

2. Remove all tools and fire retardant cover from installation area and conveyor belt.

DANGER

Do not touch or go near conveyor belt or conveyor accessories when conveyor belt is running. Body or clothing can get caught and pull body into conveyor belt, causing severe injury or death.

3. Turn on conveyor belt.

WARNING

Before adjusting impact cradle, turn off and lock out/tag out energy source to conveyor belt and conveyor accessories.

4. After one hour of operation, turn off and lock out/tag out energy source according to ANSI standards (see “References”).
5. Make sure all fasteners are tight. Tighten if necessary.
6. Inspect impact bars for wear. (A small amount of “break-in” wear may be found. This will stop once the bars wear to conveyor belt contour.)
7. If excessive wear, uneven wear, or some other problem exists, see “Troubleshooting/Installation Checklist.”



IMPORTANT

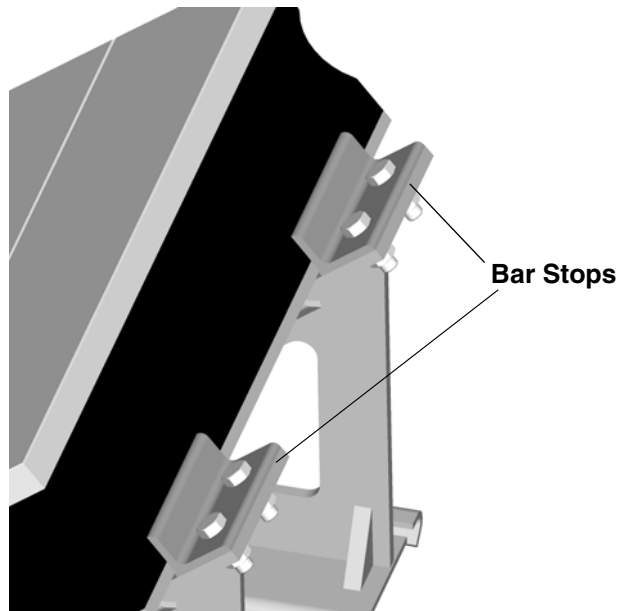
Read entire section before beginning work.

⚠ WARNING

Before servicing impact cradle, turn off and lock out/tag out energy source to conveyor belt and conveyor accessories.

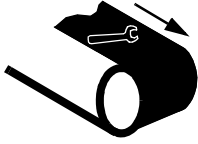


1. Turn off and lock out/tag out energy source according to ANSI standards (see “References”).
2. Make sure all fasteners are tight. Tighten if necessary.
3. Check bars for wear. If UHMW top cover on bars is worn through to black rubber, replace bars as follows:
 - a. If center bars are worn:
 - (1) Remove wing assemblies with bars by removing bolts and set aside for reinstallation.
 - (2) Remove impact bars.
 - (3) Replace worn bars.
 - b. If wing bars are worn:
 - (1) Loosen wing assemblies with bars by removing bolts and slide towards the side of the belt.
 - (2) Remove bolts on bar stops.



- (3) Remove bar stops.
 - (4) Remove impact bars.
 - (5) Replace worn bars and reinstall in reverse order.
4. Remove fines between impact bars.

5. Inspect impact cradle for cracks or fatigue. Weld or strengthen structure as necessary.
6. Wipe warning labels clean. If labels are not readable, contact Martin Engineering or a representative for replacements.



⚠ WARNING

Failure to remove tools from maintenance area and conveyor belt before turning on energy source can cause serious injury to personnel and damage to belt.

7. Remove all tools from maintenance area.

⚠ DANGER

Do not touch or go near conveyor belt or conveyor accessories when conveyor belt is running. Body or clothing can get caught and pull body into conveyor belt, causing severe injury or death.



8. Start conveyor belt.

Troubleshooting/Installation Checklist

Troubleshooting If you are experiencing problems with impact cradle, see below:

Symptom	Corrective Action
High impact bar wear rate.	Impact cradle is installed too close to belt. Make sure impact cradle surface is 3/4 in. (19 mm) below troughed belt.
Impact bars worn unevenly.	Belt is unevenly loaded, wear liners are improperly installed, and/or impact bars are not parallel to belt travel. Inspect loading area and wear liners, and modify transfer point if necessary.

Installation checklist If after taking corrective actions suggested under “Troubleshooting” you are still experiencing problems, check for the following:

Installation Checklist
Chute walls and/or wear liners are 3/8 in. (10 mm) above belt at tail and 3/4 in. (19 mm) above belt at head.
An idler is installed under belt 1 in. (25 mm) before and after impact cradle.
Center impact bars are centered below belt and are parallel to belt travel.
Wing sections are aligned with idlers.
Distance from top of center impact bars to bottom of unloaded belt surface is 3/4 in. (19 mm) for troughed belts.

Part Numbers

This section provides product names and corresponding part numbers for Martin[®] Impact Cradle HD. Please reference part numbers when ordering parts.

Martin[®] Impact Cradle HD

Martin[®] Impact Cradle HD Assembly, P/N 37357-XXXXXXX

First XX indicates belt width in inches; second XX indicates belt's trough angle; third XX indicates E6 or E7 class; last X indicates standard cradle (S) or wide-base cradle (W).

Martin[®] Wear Liner

P/N WL-XXXXXXXXXXXX

First XXXX indicates height of wear liner in inches; next XXXX indicates length of wear liner in inches; next XXX indicates thickness of wear liner in inches; last X indicates wear liner material.

Martin[®] Support Cradle

Martin[®] Single-Bar Support Cradle: P/N 36700-XXX,
for 24- to 42-in. (610- to 1200-mm) wide belts.

Martin[®] Double-Bar Support Cradle: P/N 36700-XXX,
for 48- to 72-in. (1200- to 1829-mm) wide belts.

First XX indicates belt width in inches; last X indicates standard cradle (S) or wide-base cradle (W).

Miscellaneous

Shim Kit: P/N 34163-HD

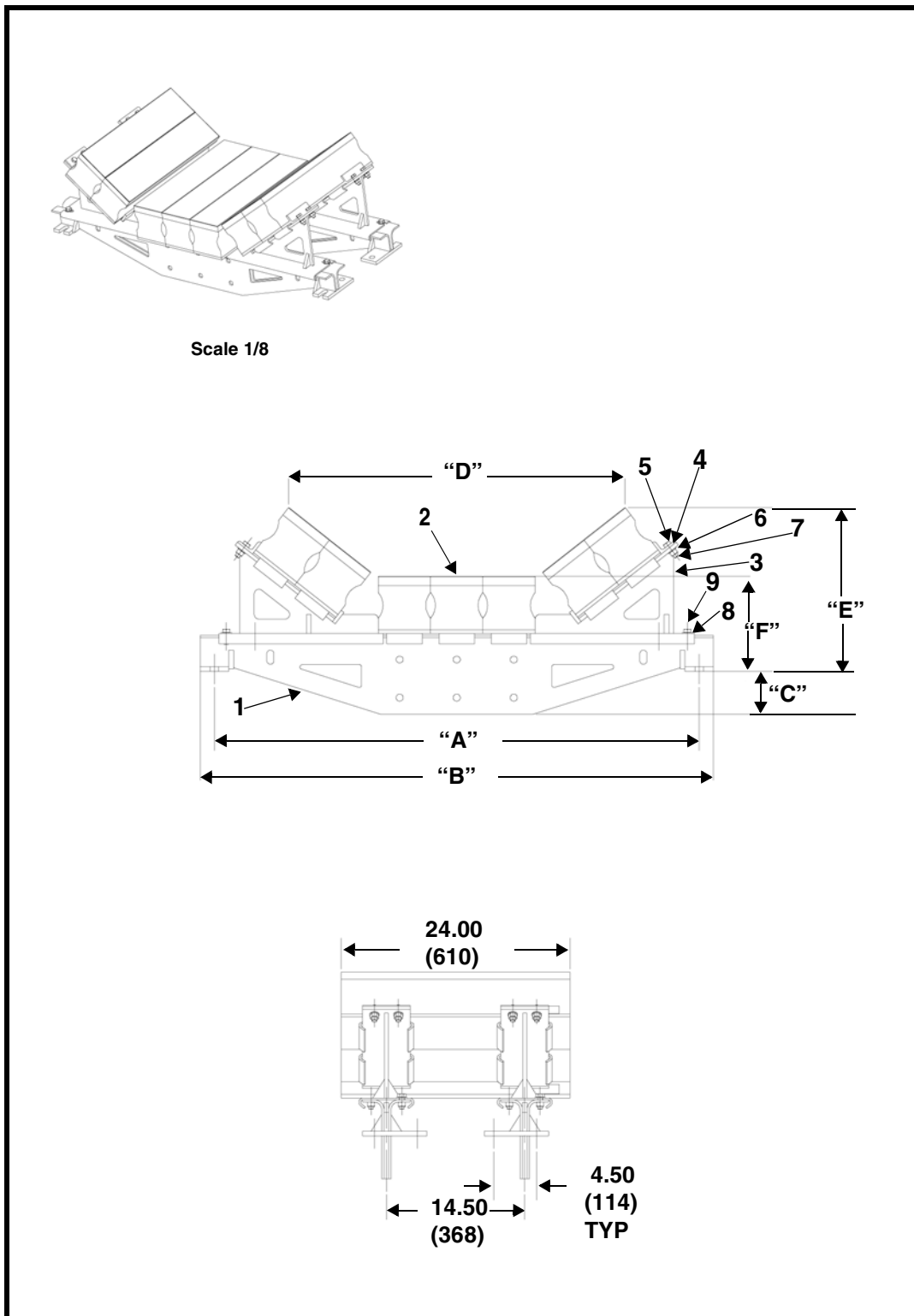


Figure 2. Martin® Impact Cradle HD Assembly, P/N 37357-XXXXXXX (Sheet 1 of 2)

Item	Description	Part No.	Qty
1	Cross-Support Weldment	Table II	2
2	Impact Bar	36570	Table II
3	Wing Weldment	Table II	4
4	Bar Retainer	37371	4
5	Screw HHC 1/2 - 13NC x 1 - 1/2 ZP	11763	8
6	Washer Compression 1/2	11750	8
7	Nut Hex 1/2 - 13NC ZP	11771	8
8	Washer Flat 1/2 Narrow ZP	31010	4
9	Screw HHC 1/2 - 13NC x 1 - 1/4 ZP	13835	4
10	Label Kit	34042	1
11	Mounting Hardware Kit	37381	1
12	Operator's Manual	M3629	1

Figure 2. Martin® Impact Cradle HD Assembly, P/N 37357-XXXXXXX (Sheet 2 of 2)

Table II. Part Numbers and Quantities, Martin® Impact Cradle HD (20° Trough Angle)

Part No.	Part No. Item 1	Part No. Item 3	Qty Item 2	Dim A	Dim B	Dim C	Dim D	Dim E	Dim E	Wt. (Lbs)
37357-3620E6S	37358-36E6	37364-3620	7	45.00 (1143)	45.00 (1143)	4.50 (114)	37.78 (960)	14.84 (377)	10.00 (254)	661
37357-3620E7S	37358-36E7	37364-3620	7	45.00 (1143)	45.00 (1143)	4.00 (102)	37.78 (960)	15.34 (390)	10.50 (267)	671
37357-3620E6W	37358-42E6	37364-3620	7	51.00 (1295)	51.00 (1295)	4.50 (114)	37.78 (960)	14.84 (377)	10.00 (254)	686
37357-3620E7W	37358-42E7	37364-3620	7	51.00 (1295)	51.00 (1295)	4.00 (102)	37.78 (960)	15.34 (390)	10.50 (267)	696
37357-4220E6S	37358-42E6	37364-4220	7	51.00 (1295)	51.00 (1295)	4.50 (114)	40.28 (1023)	14.84 (377)	10.00 (254)	693
37357-4220E7S	37358-42E7	37364-4220	7	51.00 (1295)	51.00 (1295)	4.00 (102)	40.28 (1023)	15.34 (390)	10.50 (267)	703
37357-4220E6W	37358-48E6	37364-4220	7	57.00 (1448)	57.00 (1448)	4.50 (114)	40.28 (1023)	14.84 (377)	10.00 (254)	723
37357-4220E7W	37358-48E7	37364-4220	7	57.00 (1448)	57.00 (1448)	4.00 (102)	40.28 (1023)	15.34 (390)	10.50 (267)	733
37357-4820E6S	37358-48E6	37364-4820	9	57.00 (1448)	57.00 (1448)	4.50 (114)	51.60 (1311)	16.87 (429)	10.00 (254)	879
37357-4820E7S	37358-48E7	37364-4820	9	57.00 (1448)	57.00 (1448)	4.00 (102)	51.60 (1311)	17.37 (441)	10.50 (267)	889
37357-4820E6W	37358-54E6	37364-4820	9	63.00 (1600)	63.00 (1600)	4.50 (114)	51.60 (1311)	16.87 (429)	10.00 (254)	910
37357-4820E7W	37358-54E7	37364-4820	9	63.00 (1600)	63.00 (1600)	4.00 (102)	51.60 (1311)	17.37 (441)	10.50 (267)	920
37357-5420E6S	37358-54E6	37364-5420	10	63.00 (1600)	63.00 (1600)	4.50 (114)	55.28 (1404)	16.99 (432)	10.00 (254)	971
37357-5420E7S	37358-54E7	37364-5420	10	63.00 (1600)	63.00 (1600)	4.00 (102)	55.28 (1404)	17.49 (444)	10.50 (267)	981
37357-5420E6W	37358-60E6	37364-5420	10	69.00 (1753)	69.00 (1753)	4.50 (114)	55.28 (1404)	16.99 (432)	10.00 (254)	1001
37357-5420E7W	37358-60E7	37364-5420	10	69.00 (1753)	69.00 (1753)	4.00 (102)	55.28 (1404)	17.49 (444)	10.50 (267)	1011
37357-6020E6S	37358-60E6	37364-6020	10	69.00 (1753)	69.00 (1753)	4.50 (114)	57.10 (1450)	16.87 (429)	10.00 (254)	1006
37357-6020E7S	37358-60E7	37364-6020	10	69.00 (1753)	69.00 (1753)	4.00 (102)	57.10 (1450)	17.37 (441)	10.50 (267)	1016
37357-6020E6W	37358-66E6	37364-6020	10	75.00 (1905)	75.00 (1905)	4.50 (114)	57.10 (1450)	16.87 (429)	10.00 (254)	1043
37357-6020E7W	37358-66E7	37364-6020	10	75.00 (1905)	75.00 (1905)	4.00 (102)	57.10 (1450)	17.37 (441)	10.50 (267)	1053
37357-7220E6S	37358-72E6	37364-7220	13	81.00 (2057)	81.00 (2057)	4.75 (121)	72.76 (1848)	19.73 (501)	10.75 (273)	1322
37357-7220E7S	37358-72E7	37364-7220	13	81.00 (2057)	81.00 (2057)	4.25 (108)	72.76 (1848)	20.23 (514)	11.25 (286)	1332
37357-7220E6W	37358-78E6	37364-7220	13	87.00 (2210)	87.00 (2210)	4.75 (121)	72.76 (1848)	19.73 (501)	10.75 (273)	1356
37357-7220E7W	37358-78E7	37364-7220	13	87.00 (2210)	87.00 (2210)	4.25 (108)	72.76 (1848)	20.23 (514)	11.25 (286)	1366

Part Numbers

Table II. Part Numbers and Quantities, Martin® Impact Cradle HD (35° Trough Angle)

Part No.	Part No. Item 1	Part No. Item 3	Qty Item 2	Dim A	Dim B	Dim C	Dim D	Dim E	Dim E	Wt. (Lbs)
37357-3635E6S	37358-36E6	37364-3635	6	45.00 (1143)	45.00 (1143)	4.50 (114)	31.63 (803)	16.69 (424)	10.00 (254)	607
37357-3635E7S	37358-36E7	37364-3635	6	45.00 (1143)	45.00 (1143)	4.00 (102)	31.63 (803)	17.19 (437)	10.50 (267)	617
37357-3635E6W	37358-42E6	37364-3635	6	51.00 (1295)	51.00 (1295)	4.50 (114)	31.63 (803)	16.69 (424)	10.00 (254)	632
37357-3635E7W	37358-42E7	37364-3635	6	51.00 (1295)	51.00 (1295)	4.00 (102)	31.63 (803)	17.19 (437)	10.50 (267)	642
37357-4235E6S	37358-42E6	37364-4235	7	51.00 (1295)	51.00 (1295)	4.50 (114)	35.37 (898)	17.19 (437)	10.00 (254)	698
37357-4235E7S	37358-42E7	37364-4235	7	51.00 (1295)	51.00 (1295)	4.00 (102)	35.37 (898)	17.69 (449)	10.50 (267)	708
37357-4235E6W	37358-48E6	37364-4235	7	57.00 (1448)	57.00 (1448)	4.50 (114)	35.37 (898)	17.19 (437)	10.00 (254)	728
37357-4235E7W	37358-48E7	37364-4235	7	57.00 (1448)	57.00 (1448)	4.00 (102)	35.37 (898)	17.69 (449)	10.50 (267)	738
37357-4835E6S	37358-48E6	37364-4835	9	57.00 (1448)	57.00 (1448)	4.50 (114)	46.54 (1182)	20.58 (523)	10.00 (254)	885
37357-4835E7S	37358-48E7	37364-4835	9	57.00 (1448)	57.00 (1448)	4.00 (102)	46.54 (1182)	21.08 (535)	10.50 (267)	895
37357-4835E6W	37358-54E6	37364-4835	9	63.00 (1600)	63.00 (1600)	4.50 (114)	46.54 (1182)	20.58 (523)	10.00 (254)	916
37357-4835E7W	37358-54E7	37364-4835	9	63.00 (1600)	63.00 (1600)	4.00 (102)	46.54 (1182)	21.08 (535)	10.50 (267)	926
37357-5435E6S	37358-54E6	37364-5435	10	63.00 (1600)	63.00 (1600)	4.50 (114)	49.04 (1246)	20.58 (523)	10.00 (254)	979
37357-5435E7S	37358-54E7	37364-5435	10	63.00 (1600)	63.00 (1600)	4.00 (102)	49.04 (1246)	21.08 (535)	10.50 (267)	989
37357-5435E6W	37358-60E6	37364-5435	10	69.00 (1753)	69.00 (1753)	4.50 (114)	49.04 (1246)	20.58 (523)	10.00 (254)	1009
37357-5435E7W	37358-60E7	37364-5435	10	69.00 (1753)	69.00 (1753)	4.00 (102)	49.04 (1246)	21.08 (535)	10.50 (267)	1019
37357-6035E6S	37358-60E6	37364-6035	10	69.00 (1753)	69.00 (1753)	4.50 (114)	50.55 (1284)	20.40 (518)	10.00 (254)	1013
37357-6035E7S	37358-60E7	37364-6035	10	69.00 (1753)	69.00 (1753)	4.00 (102)	50.55 (1284)	20.90 (531)	10.50 (267)	1023
37357-6035E6W	37358-66E6	37364-35	10	75.00 (1905)	75.00 (1905)	4.50 (114)	50.55 (1284)	20.40 (518)	10.00 (254)	1036
37357-6035E7W	37358-66E7	37364-6035	10	75.00 (1905)	75.00 (1905)	4.00 (102)	50.55 (1284)	20.90 (531)	10.50 (267)	1046
37357-7235E6S	37358-72E6	37364-7235	13	81.00 (2057)	81.00 (2057)	4.75 (121)	64.47 (1637)	24.71 (628)	10.75 (273)	1331
37357-7235E7S	37358-72E7	37364-7235	13	81.00 (2057)	81.00 (2057)	4.25 (108)	64.47 (1637)	25.21 (640)	11.25 (286)	1341
37357-7235E6W	37358-78E6	37364-7235	13	87.00 (2210)	87.00 (2210)	4.75 (121)	64.47 (1637)	24.71 (628)	10.75 (273)	1365
37357-7235E7W	37358-78E7	37364-7235	13	87.00 (2210)	87.00 (2210)	4.25 (108)	64.47 (1637)	25.21 (640)	11.25 (286)	1375

Table II. Part Numbers and Quantities, Martin® Impact Cradle HD (45° Trough Angle)

Part No.	Part No. Item1	Part No. Item 3	Qty Item 2	Dim A	Dim B	Dim C	Dim D	Dim E	Dim E	Wt. (Lbs)
37357-3645E6S	37358-36E6	37364-3645	6	45.00 (1143)	45.00 (1143)	4.50 (114)	29.31 (745)	18.01 (457)	10.00 (254)	612
37357-3645E7S	37358-36E7	37364-3645	6	45.00 (1143)	45.00 (1143)	4.00 (102)	29.31 (745)	18.51 (470)	10.50 (267)	622
37357-3645E6W	37358-42E6	37364-3645	6	51.00 (1295)	51.00 (1295)	4.50 (114)	29.31 (745)	18.01 (457)	10.00 (254)	637
37357-3645E7W	37358-42E7	37364-3645	6	51.00 (1295)	51.00 (1295)	4.00 (102)	29.31 (745)	18.51 (470)	10.50 (267)	647
37357-4245E6S	37358-42E6	37364-4245	7	51.00 (1295)	51.00 (1295)	4.50 (114)	32.15 (817)	18.32 (465)	10.00 (254)	701
37357-4245E7S	37358-42E7	37364-4245	7	51.00 (1295)	51.00 (1295)	4.00 (102)	32.15 (817)	18.82 (478)	10.50 (267)	711
37357-4245E6W	37358-48E6	37364-4245	7	57.00 (1448)	57.00 (1448)	4.50 (114)	32.15 (817)	18.32 (465)	10.00 (254)	731
37357-4245E7W	37358-48E7	37364-4245	7	57.00 (1448)	57.00 (1448)	4.00 (102)	32.15 (817)	18.82 (478)	10.50 (267)	741
373574845E6S	37358-48E6	37364-4845	9	57.00 (1448)	57.00 (1448)	4.50 (114)	41.45 (1053)	22.03 (560)	10.00 (254)	886
373574845E7S	37358-48E7	37364-4845	9	57.00 (1448)	57.00 (1448)	4.00 (102)	41.45 (1053)	22.53 (572)	10.50 (267)	896
37357-4845E6W	37358-54E6	37364-4845	9	63.00 (1600)	63.00 (1600)	4.50 (114)	41.45 (1053)	22.03 (560)	10.00 (254)	916
37357-4845E7W	37358-54E7	37364-4845	9	63.00 (1600)	63.00 (1600)	4.00 (102)	41.45 (1053)	22.53 (572)	10.50 (267)	926
37357-5445E6S	37358-54E6	37364-5445	10	63.00 (1600)	63.00 (1600)	4.50 (114)	44.65 (1134)	22.66 (576)	10.00 (254)	984
37357-5445E7S	37358-54E7	37364-5445	10	63.00 (1600)	63.00 (1600)	4.00 (102)	44.65 (1134)	23.16 (588)	10.50 (267)	994
37357-5445E6W	37358-60E6	37364-5445	10	69.00 (1753)	69.00 (1753)	4.50 (114)	44.65 (1134)	22.66 (576)	10.00 (254)	1014
37357-5445E7W	37358-60E7	37364-5445	10	69.00 (1753)	69.00 (1753)	4.00 (102)	44.65 (1134)	23.16 (588)	10.50 (267)	1024
37357-6045E6S	37358-60E6	37364-6045	10	69.00 (1753)	69.00 (1753)	4.50 (114)	45.67 (1160)	22.10 (561)	10.00 (254)	1015
37357-6045E7S	37358-60E7	37364-6045	10	69.00 (1753)	69.00 (1753)	4.00 (102)	45.67 (1160)	22.60 (574)	10.50 (267)	1025
37357-6045E6W	37358-66E6	37364-6045	10	75.00 (1905)	75.00 (1905)	4.50 (114)	45.67 (1160)	22.10 (561)	10.00 (254)	1045
37357-6045E7W	37358-66E7	37364-6045	10	75.00 (1905)	75.00 (1905)	4.00 (102)	45.67 (1160)	22.60 (574)	10.50 (267)	1055
37357-7245E6S	37358-72E6	37364-7245	13	81.00 (2057)	81.00 (2057)	4.75 (121)	58.03 (1474)	27.06 (687)	10.75 (273)	1333
37357-7245E7S	37358-72E7	37364-7245	13	81.00 (2057)	81.00 (2057)	4.25 (108)	58.03 (1474)	27.56 (700)	11.25 (286)	1343
37357-7245E6W	37358-78E6	37364-7245	13	87.00 (2210)	87.00 (2210)	4.75 (121)	58.03 (1474)	27.06 (687)	10.75 (273)	1366
37357-7245E7W	37358-78E7	37364-7245	13	87.00 (2210)	87.00 (2210)	4.25 (108)	58.03 (1474)	27.56 (700)	11.25 (286)	1376

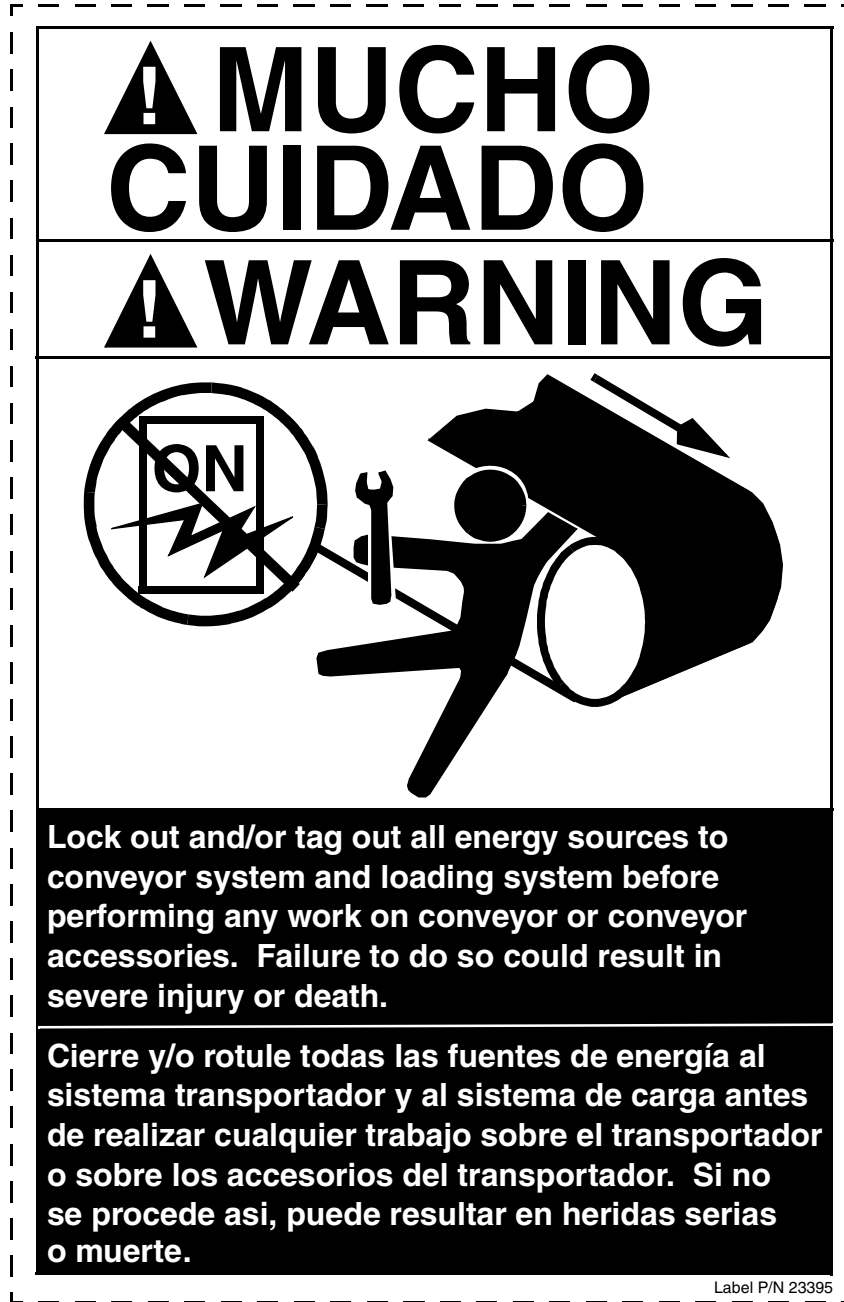


Figure 3. Conveyor Products Warning Label, P/N 23395

Any product, process, or technology described here may be the subject of intellectual property rights reserved by Martin Engineering Company. Trademarks or service marks designated with the ® symbol are registered with the U.S. Patent and Trademark Office and may be proprietary in one or more countries or regions. Other trademarks and service marks belonging to Martin Engineering Company in the United States and/or other countries or regions may be designated with the “TM” and “SM” symbols. Brands, trademarks, and names of other parties, who may or may not be affiliated with, connected to, or endorsed by Martin Engineering Company, are identified wherever possible. Additional information regarding Martin Engineering Company’s intellectual property can be obtained at www.martin-eng.com/trademarks.

Problem Solved™ ***GUARANTEED!***



Martin Engineering USA

One Martin Place
Neponset, IL 61345-9766 USA
800 544 2947 or 309 852 2384
Fax 800 814 1553
www.martin-eng.com

**COMPANY WITH
QUALITY SYSTEM
CERTIFIED BY DNV
= ISO 9001:2008 =**