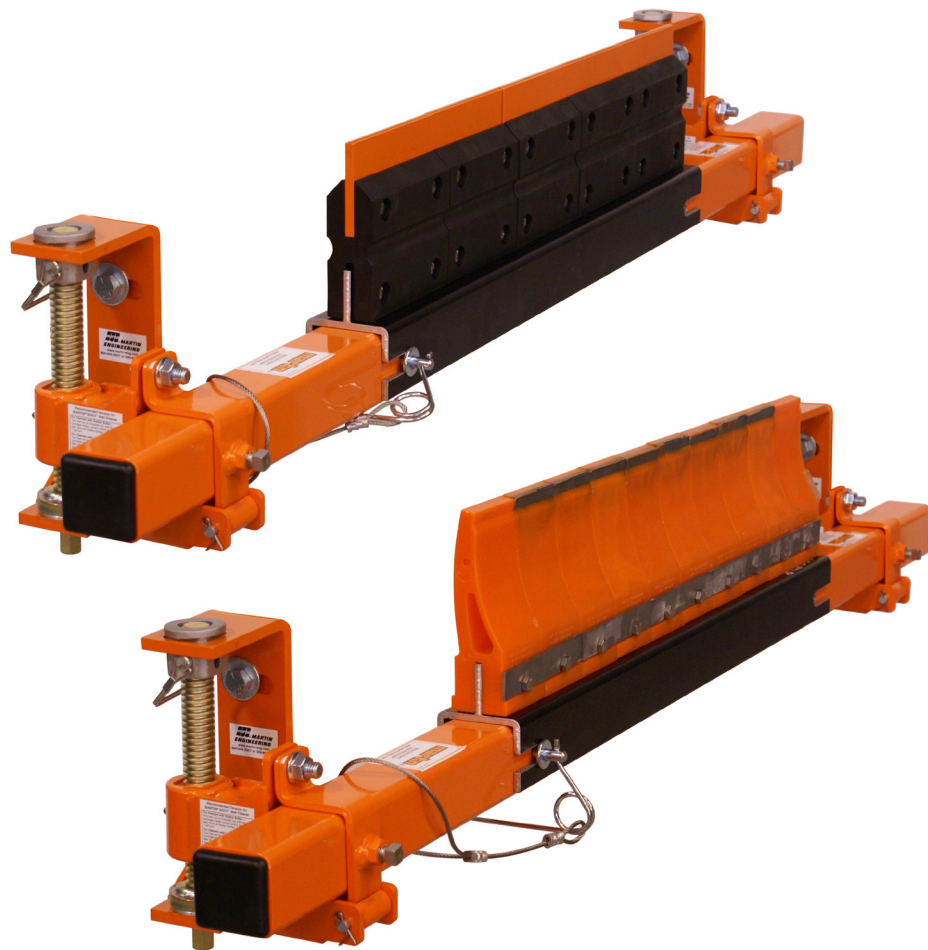




Martin[®] SQC2S[™] Cleaner

[Go to Martin[®] SQC2S[™] Cleaner web page](#)



**Operator's Manual
M3820**

Important

MARTIN ENGINEERING HEREBY DISCLAIMS ANY LIABILITY FOR: DAMAGE DUE TO CONTAMINATION OF THE MATERIAL; USER'S FAILURE TO INSPECT, MAINTAIN AND TAKE REASONABLE CARE OF THE EQUIPMENT; INJURIES OR DAMAGE RESULTING FROM USE OR APPLICATION OF THIS PRODUCT CONTRARY TO INSTRUCTIONS AND SPECIFICATIONS CONTAINED HEREIN. MARTIN ENGINEERING'S LIABILITY SHALL BE LIMITED TO REPAIR OR REPLACEMENT OF EQUIPMENT SHOWN TO BE DEFECTIVE.

Observe all safety rules given herein along with owner and Government standards and regulations. Know and understand lockout/tagout procedures as defined by American National Standards Institute (ANSI) z244.1-1982, *American National Standard for Personnel Protection - Lockout/Tagout of Energy Sources - Minimum Safety Requirements* and Occupational Safety and Health Administration (OSHA) Federal Register, Part IV, 29 CFR Part 1910, *Control of Hazardous Energy Source (Lockout/Tagout); Final Rule*.

The following symbols may be used in this manual:



Danger: Immediate hazards that will result in severe personal injury or death.



Warning: Hazards or unsafe practices that could result in personal injury.



Caution: Hazards or unsafe practices that could result in product or property damages.



Important: Instructions that must be followed to ensure proper installation/operation of equipment.



Note: General statements to assist the reader.

Table of Contents

Section	Page
List of Figures and Tables	ii
Introduction	1
General	1
Installations without chutework	1
Belt cleaner inspection access	1
References	1
Safety	2
Urethane shelf life	3
Before Installing Belt Cleaner	4
Installing Belt Cleaner Assembly	5
Marking chute cutouts	7
Removing blade	8
Installing tensioner	8
Installing blade	8
After Installing Belt Cleaner	9
Weekly Maintenance	10
Troubleshooting	11
Part Numbers	12

List of Figures

Figure	Title	Page
1	Mounting Locations	5 & 6
2	Tangent Point	6
3	Removing and Installing Blade Cartridge	8
4	Martin [®] SQC2S [™] Cleaner Assembly, P/N SQC2S-XXXXXXXXXXXX	14
5	Martin [®] SQC2S [™] Cleaner Assembly with 3-in. Martin [®] SAF2 [™] Style Blades, P/N SQC2S-XXXXXX3XXX	16
6	Martin [®] SQC2S [™] Cleaner Assembly with Mini Martin [®] SQC2S [™] Style Blades, P/N SQC2MS-XXXXXXXXXXXX.....	19
7	Martin [®] SQC2S [™] Cleaner Assembly with Chevron Blades, P/N SQC2S-XXCXXX7XXX	21
8	Conveyor Products Warning Label, P/N 23395	23
9	Martin [®] SQC2S [™] Tensioning Label, P/N SQC2-10002.....	23

List of Tables

Table	Title	Page
I	Urethane Shelf Life	3
II	Martin [®] SQC2S [™] Cleaner Assembly Part Numbers and Quantities	15
III	Martin [®] SQC2S [™] Cleaner Assembly Blade Chart	15
IV	Martin [®] SQC2S [™] Cleaner Assembly Part Numbers and Quantities	17
V	Martin [®] SQC2S [™] Cleaner Assembly Blade Chart	18
VI	Martin [®] SQC2S [™] Cleaner Assembly Part Numbers and Quantities	20
VII	Martin [®] SQC2S [™] Cleaner Assembly with Chevron Blades Part Numbers and Quantities	22
VIII	Martin [®] SQC2S [™] Cleaner Assembly Chevron Blade Chart.....	22

Introduction

General

To introduce product back into the product flow, a Pre-Cleaner is installed on the face of the head pulley. On a dual cleaner system, the Secondary Cleaner is installed immediately following the Pre-Cleaner to remove stubborn material left on the conveyor belt. If a Pre-Cleaner cannot be used because of space limitations, the Secondary Cleaner is installed alone. If the material-handling process or product could be affected by contamination from the use of these belt cleaners, the user is responsible for taking the necessary steps to prevent contamination. Consult Martin Engineering or a representative for alternate belt cleaners or belt cleaner locations to use where contamination may be an issue.

Installations without chutework

These procedures were written for equipment that is being installed on enclosed pulley chutework. If the pulley is not enclosed, the equipment should be installed using the best available field resources and methods to ensure that the critical dimensions are followed for proper installation.

Belt cleaner inspection access

If the belt cleaner is installed on enclosed pulley chutework, a Martin[®] Inspection Door should be installed. Martin[®] Inspection Doors are available from Martin Engineering or a representative.

References

The following documents are referenced in this manual:

- American National Standards Institute (ANSI) z244.1-1982, *American National Standard for Personnel Protection - Lockout/Tagout of Energy Sources - Minimum Safety Requirements*, American National Standards Institute Inc., 1430 Broadway, New York, NY 10018.
- Federal Register, Volume 54, Number 169, Part IV, 29 CFR Part 1910, *Control of Hazardous Energy Source (Lockout/Tagout); Final Rule*, Department of Labor, Occupational Safety and Health Administration (OSHA), 32nd Floor, Room 3244, 230 South Dearborn Street, Chicago, IL 60604.
- Martin[®] SQC2S[™] Square Mainframe Tensioners Operator's Manual, P/N M3815

Safety

All safety rules defined in the above documents and all owner/employer safety rules must be strictly followed when working on the belt cleaner.



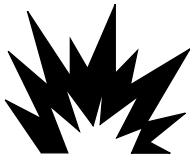
⚠ DANGER

Do not touch or go near the conveyor belt or conveyor accessories when the belt is running. Your body or clothing can get caught and you can be pulled into the conveyor, resulting in severe injury or death.



⚠ DANGER

Before installing, servicing, or adjusting the belt cleaner, turn off and lock out/tag out all energy sources to the conveyor and conveyor accessories according to ANSI standards. Failure to do so could result in serious injury or death.



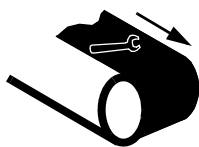
⚠ DANGER

If this equipment will be installed in an enclosed area, test the gas level or dust content before using a cutting torch or welding. Using a torch or welding in an area with gas or dust may cause an explosion resulting in serious injury or death.



⚠ WARNING

Before using a cutting torch or welding the chute wall, cover the conveyor belt with a fire retardant cover. Failure to do so can allow the belt to catch fire.



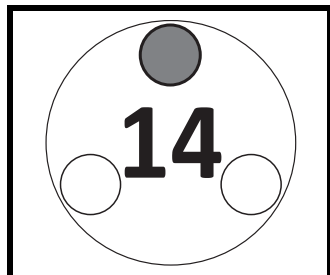
⚠ WARNING

Remove all tools from the installation area and conveyor belt before turning on the conveyor. Failure to do so can cause serious injury to personnel or damage to the belt and conveyor.



⚠ WARNING

Mainframe with blade can be heavy and may require two people to lift. Attempting to lift the belt cleaner without assistance could result in injury.

Urethane shelf life**IMPORTANT**

Urethane put in service after exceeding its shelf life may wear differently and deteriorate quicker than normal urethane.

NOTE

Code Date is written near bottom of blade as mm/dd/yy-x. In addition to or in place of this date, you may see an imprinted date medallion similar to the example shown. In this example, “14” stands for the year 2014. The small circles represent the quarter of the year. If three circles are “punched” the blade was produced in the first quarter. If none of the circles are “punched” the blade was produced in the fourth quarter. If code date on your blade(s) is not legible or is missing, contact Martin Engineering or a representative.

Table I. Urethane Shelf Life

Blade Color	Shelf Life
Blue	1 Year from Code Date
Brown	2 Years from Code Date
Clear	1 Year from Code Date
Green	2 Years from Code Date
Orange	1 Year from Code Date

Before Installing Belt Cleaner

IMPORTANT

The delivery service is responsible for damage occurring in transit. Martin Engineering CANNOT enter claims for damages. Contact your transportation agent for more information.

1. Inspect shipping container for damage. Report damage to delivery service immediately and fill out delivery service's claim form. Keep any damaged goods subject to examination.
2. Remove belt cleaner assembly from shipping container.
3. If anything is missing contact Martin Engineering or a representative.



WARNING

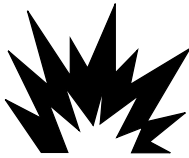
Before installing equipment, turn off and lock out/ tag out all energy sources to the conveyor and conveyor accessories according to ANSI standards. Failure to do so could result in serious injury or death.

4. Turn off and lock out/tag out energy source according to ANSI standards (see "References").

DANGER

If this equipment will be installed in an enclosed area, test the gas level or dust content before using a cutting torch or welding. Using a torch or welding in an area with gas or dust may cause an explosion resulting in serious injury or death.

5. If using a cutting torch or welding, test atmosphere for gas level or dust content. Cover conveyor belt with fire retardant cover.

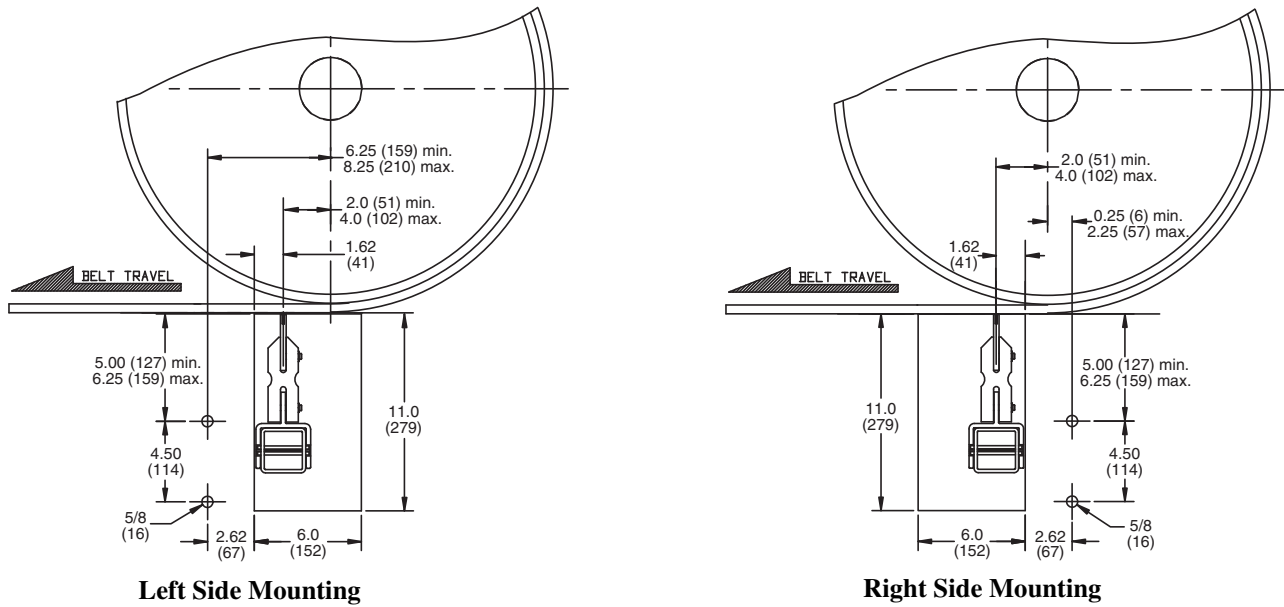


IMPORTANT

Center the belt cleaner blades to clean an area narrower than the conveyor belt width. This allows for side-to-side movement of the belt and prevents damage to the belt edge.

Installing Belt Cleaner Assembly

Martin® SQC2S™ Blade, Martin® SAF2™ Reversing Blade, and Martin® Chevron Blade Mounting Location



Martin® SAF2™ Blade Mounting Location

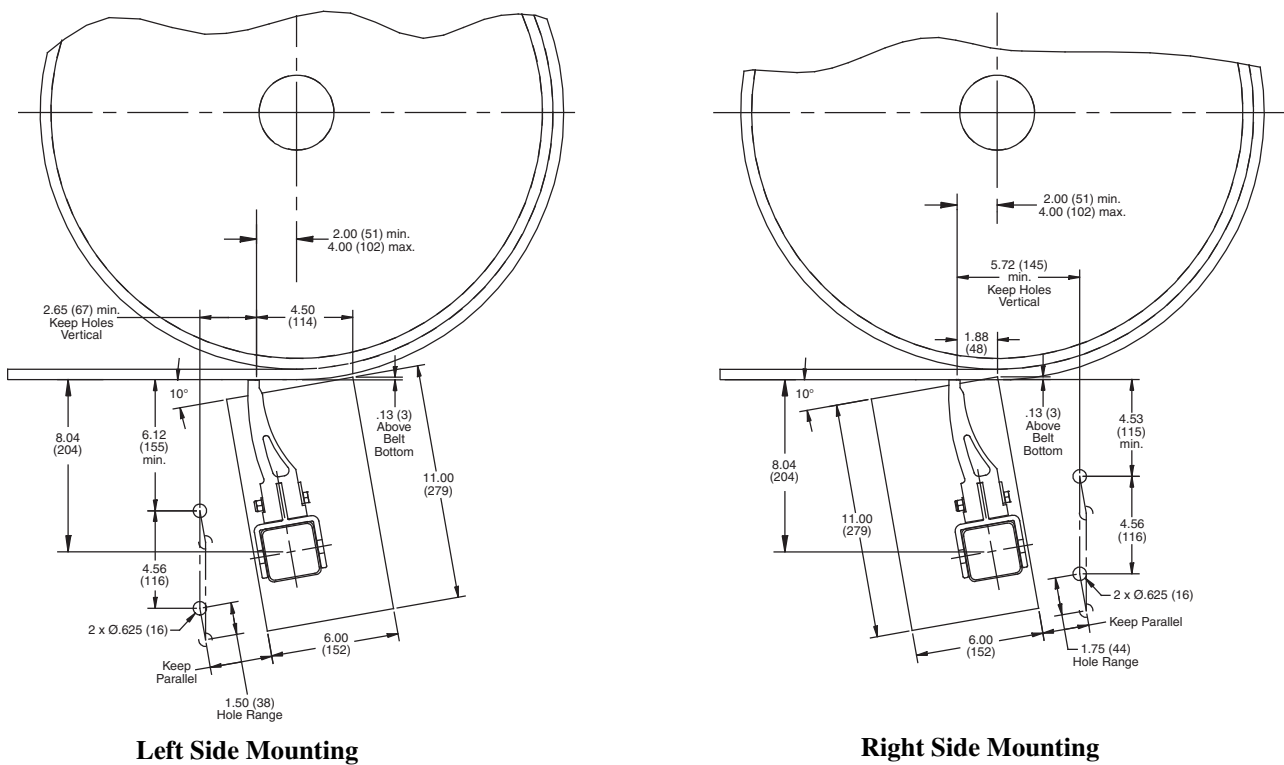


Figure 1. Mounting Locations

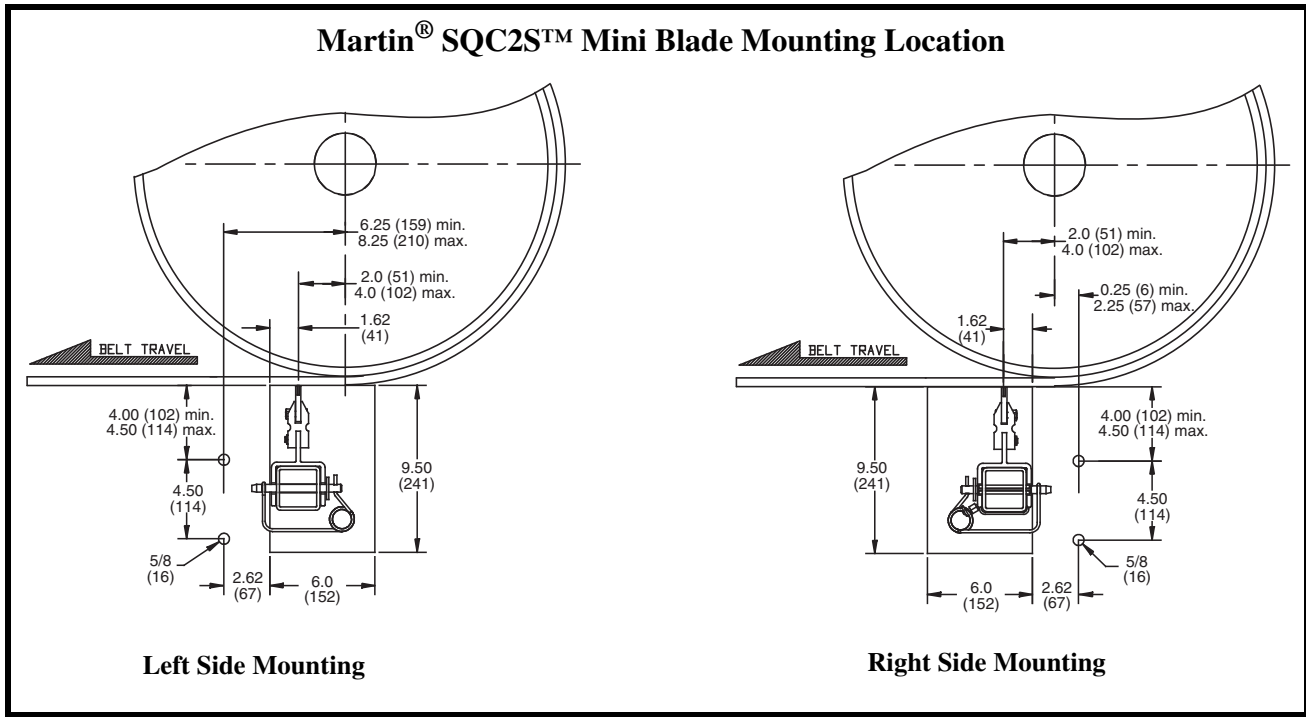


Figure 1. Mounting Locations

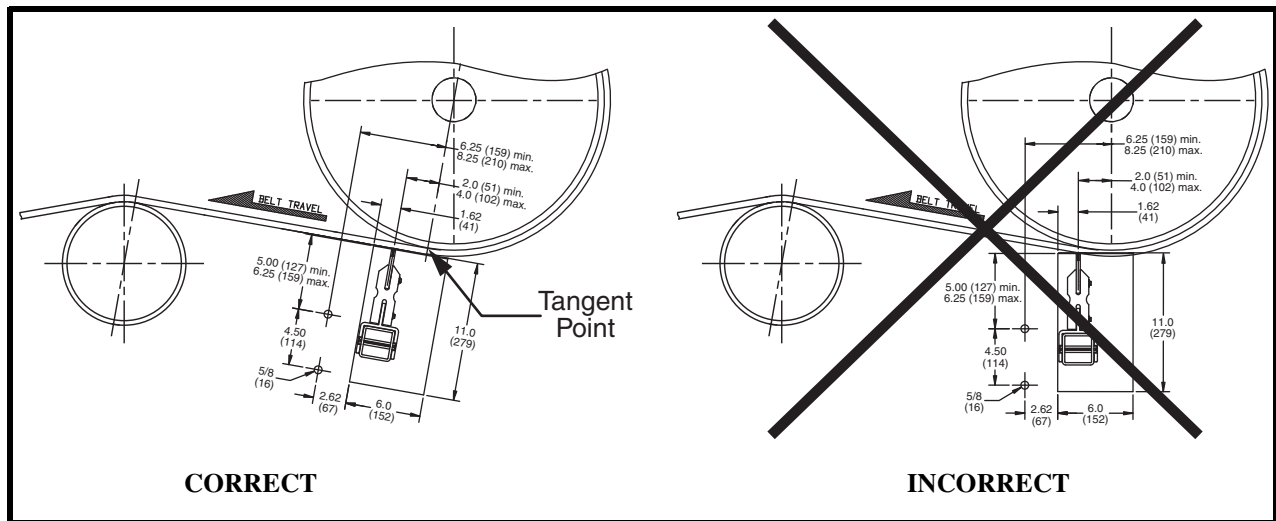


Figure 2. Tangent Point

IMPORTANT

Belt cleaner mounting location must be marked using a line perpendicular to the belt line at the tangent point (point where the belt leaves the head pulley), see Figure 2. **DO NOT** use the vertical centerline of the head pulley.

NOTE

Solid backing of the blade is essential to ensure proper operation and efficient cleaning. Install the cleaner adjacent to the head pulley or a flat pressure roller to obtain best cleaning results.

NOTE

For installation on enclosed head pulley chutework, draw all dimension lines on chute wall. In applications where head pulley is not enclosed, use the best available field resources and/or methods to ensure that these critical dimensions are followed for a proper installation.

Marking chute cutouts

1. Mark the chute cutout and mount hole locations as shown in Figure 1. Repeat on both sides of chute, ensuring cutouts are accurately aligned with each other.
2. At the selected mounting position, cut the cleaner access slots and drill the mount holes in each side of the chute. Dress and de-burr the holes and cutouts.

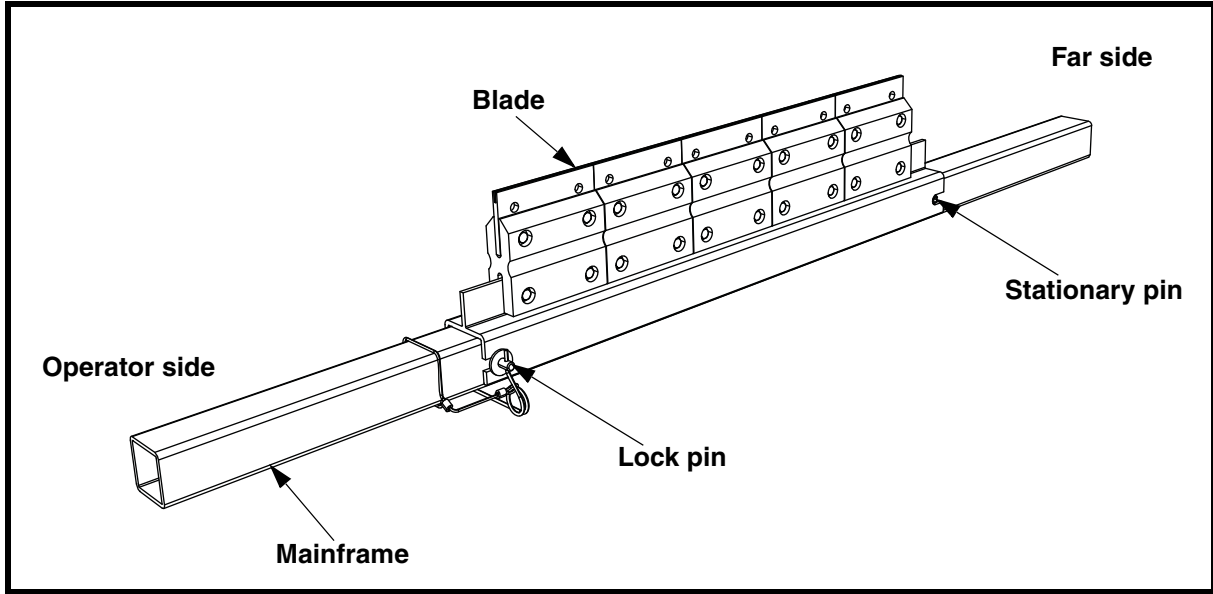


Figure 3. Removing and Installing Blade Cartridge

Removing blade

1. Remove lock pin from operator side of mainframe and blade.
2. Pull blade away from stationary pin on far side of mainframe and remove from mainframe. Make sure lock pin remains attached to mainframe.

Installing tensioner

1. Install tensioner according to *Martin® SQC2S™ Square Mainframe Tensioner Operator's Manual*, P/N M3815.
2. If using *Martin® Inspection Door*, install according to *Martin® Inspection Door Operator's Manual*, P/N M3891.

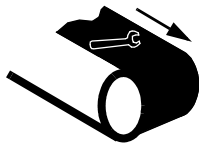
Installing blade

1. Slide blade cartridge onto mainframe with blade positioned as shown in Figure 1. Push far side end of blade against stationary pin until it locks.
2. Insert lock pin in mainframe and cartridge.
3. Make sure blades are centered on belt and mainframe is parallel to belt.
4. Tension belt cleaner according to *Martin® SQC2S™ Square Mainframe Tensioner Operator's Manual*, P/N M3815.

After Installing Belt Cleaner



1. Thoroughly wipe chute wall clean above tensioner.
2. Place Conveyor Products Warning Label (P/N 23395) on outside chute wall visible to belt cleaner operator.



⚠ WARNING

Failure to remove tools from installation area and conveyor belt before turning on energy source can cause serious injury to personnel and damage to belt.



⚠ DANGER

Do not touch or go near conveyor belt or conveyor accessories when conveyor belt is running. Body or clothing can get caught and pull body into conveyor belt, causing severe injury or death.

3. Turn on conveyor belt for 1 hour, then turn off.



⚠ DANGER

Before installing, servicing, or adjusting the belt cleaner/tensioner, turn off and lock out/tag out all energy sources to the conveyor and conveyor accessories according to ANSI standards. Failure to do so could result in serious injury or death.

4. Make sure all fasteners are tight. Tighten if necessary.
5. Make sure cleaner is not changing belt line. If it is, install belt support ahead of blade-to-belt contact point (Secondary Cleaner).
6. Inspect belt cleaner for the following:
 - Wear. (A small amount of “break-in” wear may be found. This will stop once blades wear to conveyor belt contour.)
 - Material buildup. (No material between blades and return side of conveyor belt should be found.)
7. If wear, material buildup, or some other problem exists, see “Troubleshooting.”

Weekly Maintenance

IMPORTANT

Read entire section before beginning work.

NOTE

Maintenance inspection should be performed no less than weekly. Some applications may require more frequent maintenance inspections.



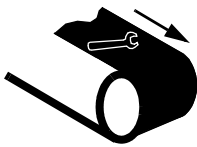
⚠ DANGER

Before installing, servicing, or adjusting the belt cleaner/tensioner, turn off and lock out/tag out all energy sources to the conveyor and conveyor accessories according to ANSI standards. Failure to do so could result in serious injury or death.

1. Remove any material from belt cleaner.
2. Make sure all fasteners are tight. Tighten if necessary.
3. Check tension on cleaner. Re-tension if necessary.
4. Wipe all labels clean. If labels are not readable, contact Martin Engineering or a representative for replacements.
5. Check blades for excessive wear. Replace if necessary.
6. Remove equipment from service if there is any indication it is not functioning properly. Call Martin Engineering or a representative for assistance. Do NOT return equipment to operation until the cause of the problem has been identified and corrected.

⚠ WARNING

Failure to remove tools from installation area and conveyor belt before turning on energy source can cause serious injury to personnel and damage to belt.



7. Remove all tools from maintenance area.

⚠ DANGER

Do not touch or go near conveyor belt or conveyor accessories when conveyor belt is running. Body or clothing can get caught and pull body into conveyor belt, causing severe injury or death.



8. Start conveyor belt.

Troubleshooting

Symptom	Corrective Action
Insufficient cleaning and carryback.	<ul style="list-style-type: none"> • Tension of cleaner on belt is set too low or too high. Increase or decrease tensioner setting. • Blades are worn. Check blades and replace if necessary.
Noise or vibration.	Tension is not sufficient or is set too high. Correct tension as necessary. If this does not correct problem, blade urethane may not match application. Contact Martin Engineering or representative.
High blade wear rate.	Tension of cleaner on belt is set too high. Reduce tensioner setting.
Unusual wear or damage to blades.	Check belt splice(s) and repair as necessary.
Bent or broken mainframe or support frame due to blade slipping through.	If blades are worn to or past the wear line, replace blades. If blades are not worn, check mainframe location.
Corrosion or chemical degradation.	Blade urethane may not match application. Contact Martin Engineering or representative.

NOTE

Conveyor equipment such as conveyor belt cleaners are subject to a wide variety of bulk materials characteristics and often have to perform under extreme operating or environmental conditions. It is not possible to predict all circumstances that may require troubleshooting. Contact Martin Engineering or a representative if you are experiencing problems other than those listed in the “Troubleshooting” chart above. Do not return the equipment to operation until the problem has been identified and corrected.

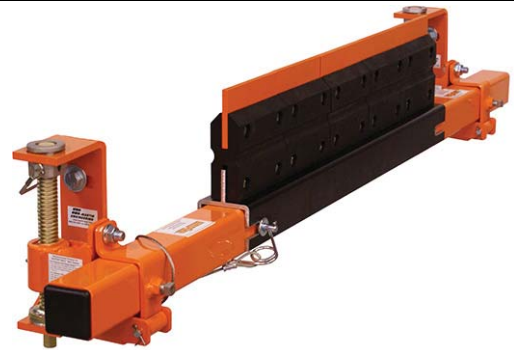
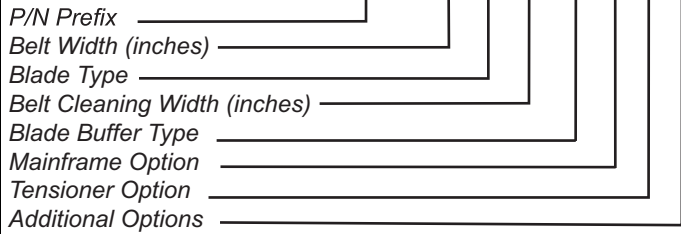
Installation checklist

If after taking the corrective actions suggested under “Troubleshooting” you are still experiencing problems, check for the following:

Installation Checklist
✓ Pre-Cleaner mainframe is proper distance from belt surface on both ends of mainframe.
✓ Pre-Cleaner blade tip is at or below horizontal center line of pulley and does not lie in path of material flow.
✓ Secondary Cleaner blade tip is 2 in. (51 mm) past vertical center line of pulley.
✓ Secondary Cleaner is not changing belt line.
✓ Blades are centered on belt.

Part Numbers

NOMENCLATURE **XXXXX-XX X XX XX X X X**



P/N PREFIX

SQC2S: Standard Assembly
SQC2MS: Mini SQC2S™ Blades on Standard Assembly

BLADE TYPE

C: Corrosion Resistant with Tungsten Carbide Tips
G: Acid-Resistant for belts with clips
H: Acid-Resistant
R: General Applications and Reversing Belts–Tungsten Carbide
S: Corrosion Resistant
Ø: No Blades

BLADE CLEANING WIDTH

Full belt width or Approx.
 6 inches less belt width.

BLADE BUFFER TYPE

MR: Molded Rubber
FR: Flame-Retardant Rubber
ØØ: No Buffers

MAINFRAME OPTIONS

P: Painted
S: Stainless

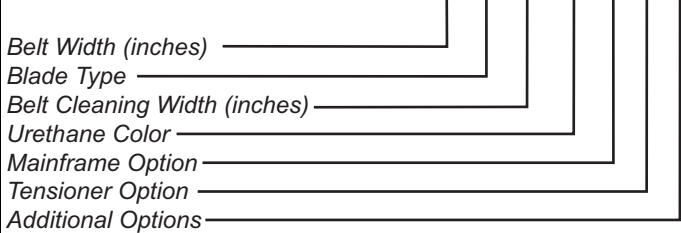
TENSIONER OPTIONS

T: Tensioner
S: 316 SS Tensioner
H: HD Tensioner
A: 316 SS HD Tensioner
Ø: No Tensioner

ADDITIONAL OPTIONS

Ø: None
D: Dust-Tight Steel Cover Door

NOMENCLATURE **SQC2S-XX X XX XX X X X**



BLADE TYPE

C: Tungsten Carbide with Stainless Insert
R: Reversing Belts–Urethane
S: Stainless Insert
T: Tungsten Carbide
U: Urethane
Ø: No Blades

URETHANE COLOR

O3: Orange Urethane
B3: Brown Urethane
G3: Green Urethane
N3: Navy Blue Urethane

MAINFRAME OPTIONS

P: Painted
S: Stainless

TENSIONER OPTIONS

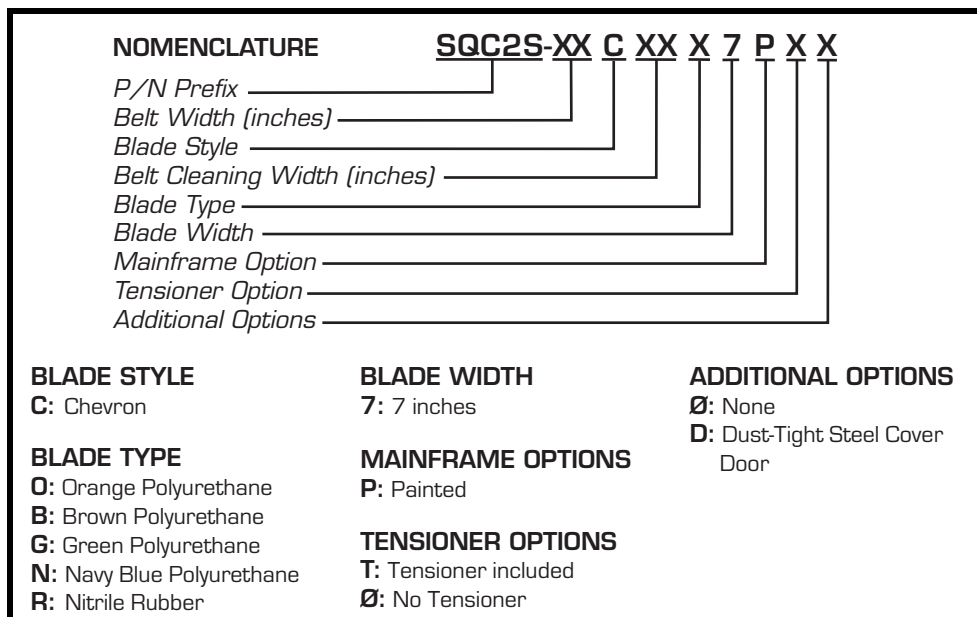
T: Tensioner
S: 316 SS Tensioner
H: HD Tensioner
A: 316 SS HD Tensioner
Ø: No Tensioner

ADDITIONAL OPTIONS

Ø: None
D: Dust-Tight Steel Cover Door

BLADE CLEANING WIDTH

Full belt width or Approx.
 6 inches less belt width.



Martin® SQC2S™ Assembly

P/N SQC2S-XXXXXXXXXX. See Figures 4 and 5. Includes blade cartridge, mainframe and tensioners.

Martin® SQC2S™ Mini Assembly

P/N SQC2MS-XXXXXXXXXX. See Figure 6. Includes blade cartridge, mainframe and tensioners.

Martin® SQC2S™ Chevron Assembly

P/N SQC2S-XXCXXX7XXX. See Figure 7. Includes blade cartridge, mainframe and tensioners.

Martin® Tensioners

Martin® SQC2S™ Square Mainframe Tensioners: P/N 38664.
 Martin® SQC2S™ Square Mainframe Tensioners: P/N 38664-SS.
 Martin® SQC2S™ Square Mainframe Tensioners HD: P/N 38664-HD.
 Martin® SQC2S™ Square Mainframe Tensioners HD: P/N 38664-HDS.

Martin® SQC2S™ Blade Cartridges

P/N SQC2SC-XXXXXXXXXX. Includes replacement blades.
 P/N SQC2SC-XXXXXX3XX. Includes replacement blades.
 P/N SQC2MSC-XXXXXXXXXX. Includes replacement blades.
 P/N SQC2SC-XXCXXX7X. Includes replacement blades.

Miscellaneous

Martin® Heavy-Duty Hanger Mount Assembly: P/N 34233-HD. Used to mount Martin® SQC2S™ Tensioners onto stringer instead of onto chute wall.

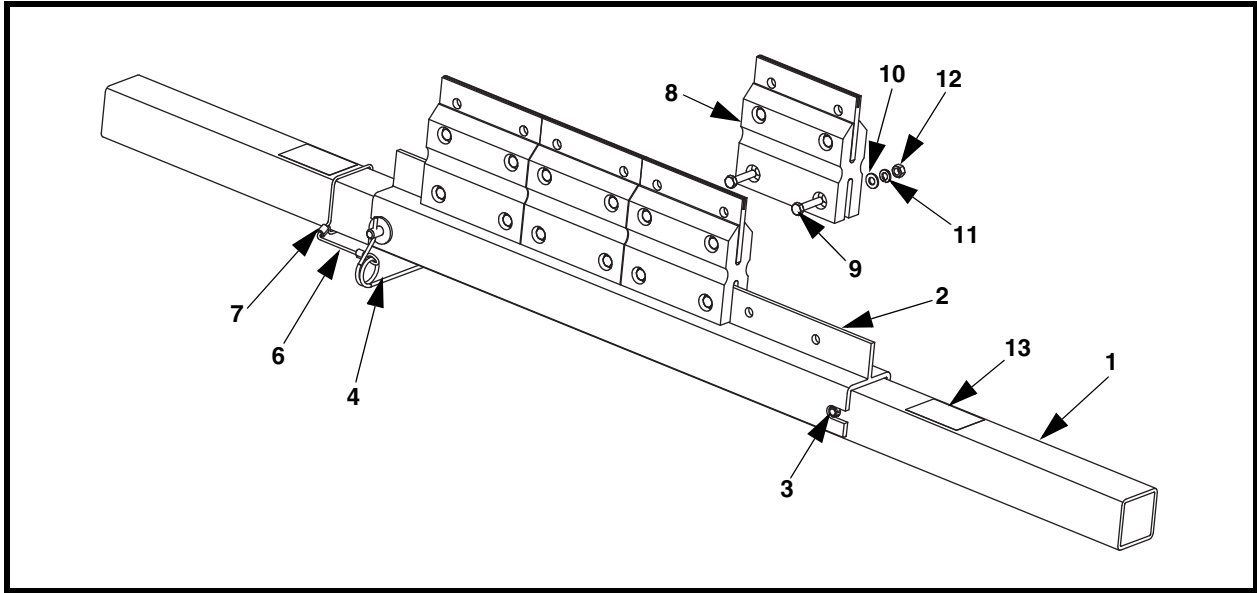


Figure 4. Martin® SQC2S™ Cleaner Assembly, P/N SQC2S-XXXXXXXXXX

Item	Description	Part Number	Qty
1	Mainframe	38657-XX*	1
2	Blade Cartridge	SQC2S-35696-XX*	1
3	Pin Slotted Spring 1/2 x 3 ZP	33840	1
4	Pin Snap Lock 7/16	33841	1
5 (NS)	Urethane Shipping Pin	35846	1
6	Cable Aircraft 1/8 Dia.	100107	2 ft
7	Cable Clip for 1/8 Dia. Cable	23481	2
8	Blade Assembly	Table III	Table II
9	Screw HHC 5/16-18NC x 1-1/2 SS	SP04436-30	Table II
10	Washer Flat 5/16 Narrow SS	37724	Table II
11	Washer Lock Helical Spring 5/16 SS	33055	Table II
12	Nut Hex 5/16-18NC Narrow SS	37723	Table II
13	Label Martin Products	38048	2
14 (NS)	Martin® SQC2S™ Tensioner	38664	1
15 (NS)	Manual Operator's	M3820	1
16 (NS)	Split Dust-Tight Door Assembly	38014-SQCS	1

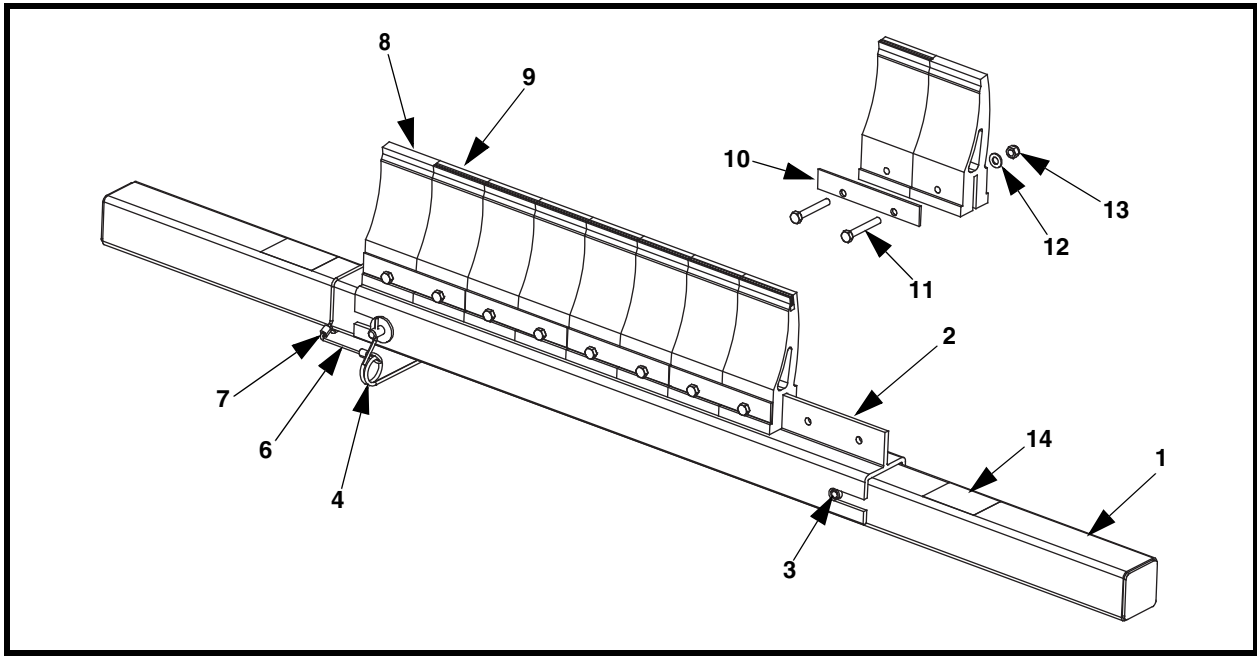
* XX indicates belt width (available in full belt width or belt width less 6 in.).

Table II. Martin® SQC2S™ Cleaner Assembly Part Numbers and Quantities

Part No.	Qty Item 8	Qty Items 9-12
SQC2S-XXX12XXXXX	2	4
SQC2S-XXX18XXXXX	3	6
SQC2S-XXX24XXXXX	4	8
SQC2S-XXX30XXXXX	5	10
SQC2S-XXX35XXXXX	6	12
SQC2S-XXX41XXXXX	7	14
SQC2S-XXX47XXXXX	8	16
SQC2S-XXX53XXXXX	9	18
SQC2S-XXX59XXXXX	10	20
SQC2S-XXX65XXXXX	11	22
SQC2S-XXX71XXXXX	12	24
SQC2S-XXX77XXXXX	13	26
SQC2S-XXX83XXXXX	14	28
SQC2S-XXX89XXXXX	15	30

Table III. Martin® SQC2S™ Cleaner Assembly Blade Chart

Part No.	P/N Item 8	Color	General Application
SQC2S-XXAXXXXXXX	SC-XXA	—	Corrosion-Resistant with Tungsten Carbide Tips
SQC2S-XXGXXXXXX	SC-XXG	ORANGE	Acid-Resistant Belt with Clips
SQC2S-XXHXXXXXX	SC-XXH	ORANGE	Acid-Resistant
SQC2S-XXRXXXXXX	SC-XXR	ORANGE	General Conditions Reversing Belt with Clips
SQC2S-XXSXXXXXX	SC-XXS	—	Corrosion-Resistant



**Figure 5. Martin® SQC2S™ Cleaner Assembly
with 3-in. Martin® SAF2™ Style Blades, P/N SQC2S-XXXXXX3XXX**

Item	Description	Part Number	Qty
1	Mainframe	38657-XXX*	1
2	Blade Cartridge	SQC2S-35696-XX3X**	1
3	Pin Slotted Spring 1/2 x 3 ZP	33840	1
4	Pin Snap Lock 7/16	33841	1
5 (NS)	Urethane Shipping Pin	35846	1
6	Cable Aircraft 1/8 Dia.	100107	2 ft
7	Cable Clip for 1/8 Dia. Cable	23481	2
8	Urethane Blade	Table V	Table IV
9	Blade with Carbide Tip	Table V	Table IV
10	Backing Plate	38280	Table IV
11	Screw HHC 5/16-18NC x 2-1/4 SS	38040	Table IV
12	Washer Flat 5/16 Narrow SS	37724	Table IV
13	Nut Hex Elastic Lock 5/16-18NC SS	33054	Table IV
14	Label Martin Products	38048	2
15 (NS)	Martin® SQC2S™ Tensioner	38664	1
16 (NS)	Manual Operator's	M3820	1
17 (NS)	Split Dust-Tight Door Assembly	38014-SQCS	1

* First XX indicates belt width. Last X indicates material: mild steel (Blank) or stainless steel (S).

**First XX indicates belt width (available in full belt width or belt width less 6 in.). Last X indicates cartridge length: belt width less 2 in. (Blank) or full belt width (F).

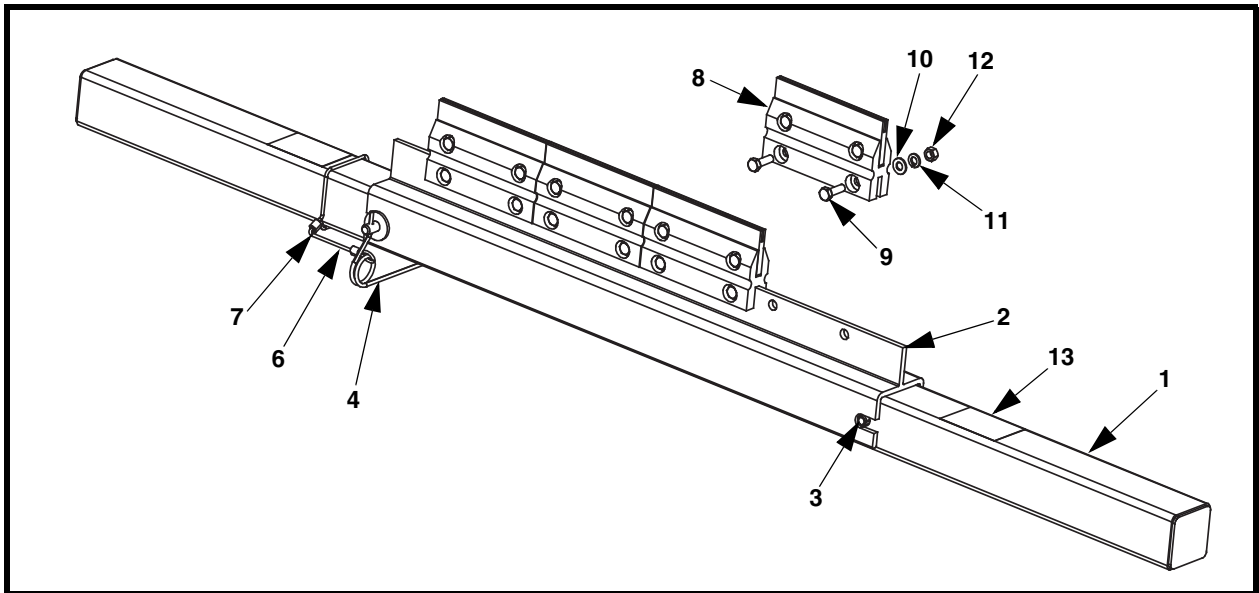
Table IV. Martin® SQC2S™ Cleaner Assembly Part Numbers and Quantities

Part No.	Qty Items 8 & 9 combined*	Qty Item 10	Qty Items 11-13
SQC2S-XXX12X3XXX	4	2	4
SQC2S-XXX18X3XXX	6	3	6
SQC2S-XXX24X3XXX	8	4	8
SQC2S-XXX30X3XXX	10	5	10
SQC2S-XXX36X3XXX	12	6	12
SQC2S-XXX42X3XXX	14	7	14
SQC2S-XXX48X3XXX	16	8	16
SQC2S-XXX54X3XXX	18	9	18
SQC2S-XXX60X3XXX	20	10	20
SQC2S-XXX66X3XXX	22	11	22
SQC2S-XXX72X3XXX	24	12	24
SQC2S-XXX78X3XXX	26	13	26
SQC2S-XXX84X3XXX	28	14	28
SQC2S-XXX90X3XXX	30	15	30
SQC2S-XXX96X3XXX	32	16	32

*Quantity represents total blades on the cartridge. Each cartridge has a minimum of two urethane blades, one on each end of the cartridge. The blades in between are available in either urethane or tungsten carbide.

Table V. Martin® SQC2S™ Cleaner Assembly Blade Chart

Part No.	P/N Item 8	P/N Item 9	Color
SQC2S-XXCXXB3XXX	38718-UBR	38718-CBR	Brown
SQC2S-XXCXXG3XXX	38718-UGR	38718-CGR	Green
SQC2S-XXCXXN3XXX	38718-UNB	38718-CNB	Navy Blue
SQC2S-XXCXXO3XXX	38718-U	38718-C	Orange
SQC2S-XXRXXB3XXX	38718-URBR	—	Brown
SQC2S-XXRXXG3XXX	38718-URGR	—	Green
SQC2S-XXRXXN3XXX	38718-URNB	—	Navy Blue
SQC2S-XXRXXO3XXX	38718-UR	—	Orange
SQC2S-XXSXXB3XXX	38718-UBR	38718-SBR	Brown
SQC2S-XXSXXG3XXX	38718-UGR	38718-SGR	Green
SQC2S-XXSXXO3XXX	38718-U	38718-S	Orange
SQC2S-XXTXXB3XXX	38718-UBR	38718-TBR	Brown
SQC2S-XXTXXG3XXX	38718-UGR	38718-TGR	Green
SQC2S-XXTXXN3XXX	38718-UNB	38718-TNB	Navy Blue
SQC2S-XXTXXO3XXX	38718-U	38718-T	Orange
SQC2S-XXUXXB3XXX	38718-UBR	—	Brown
SQC2S-XXUXXG3XXX	38718-UGR	—	Green
SQC2S-XXUXXN3XXX	38718-UNB	—	Navy Blue
SQC2S-XXUXXO3XXX	38718-U	—	Orange



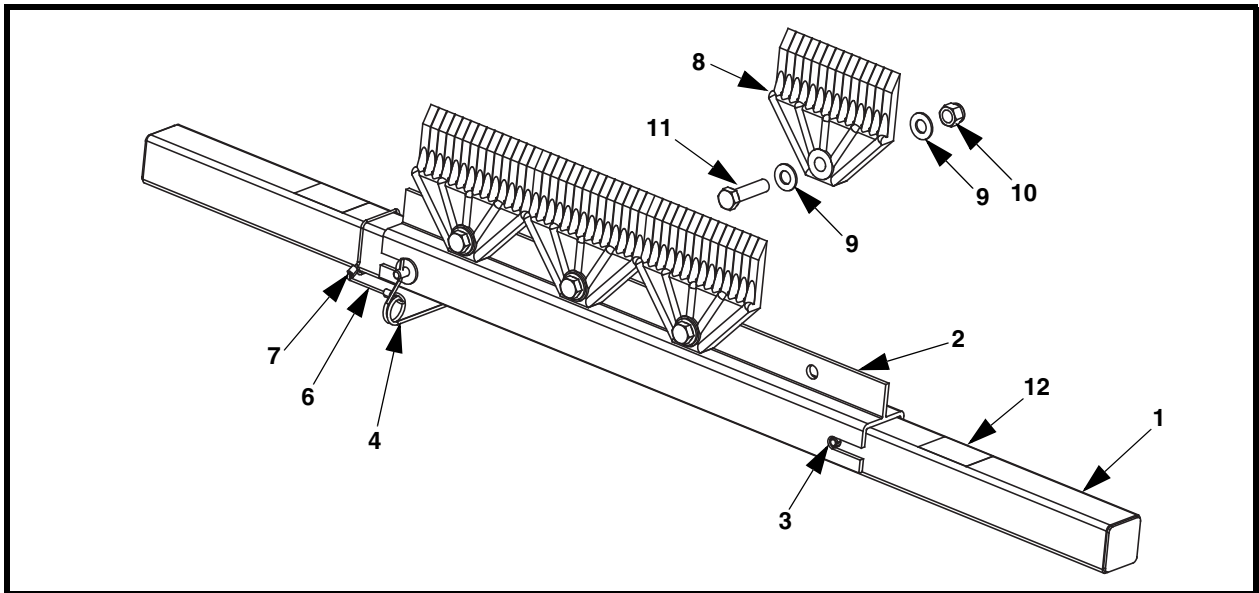
**Figure 6. Martin® SQC2S™ Cleaner Assembly
with Mini Martin® SQC2S™ Style Blades, P/N SQC2MS-XXXXXXXXXX**

Item	Description	Part Number	Qty
1	Mainframe	38657-XX*	1
2	Blade Cartridge	SQC2MS-35696-XX*	1
3	Pin Slotted Spring 1/2 x 3 ZP	33840	1
4	Pin Snap Lock 7/16	33841	1
5 (NS)	Urethane Shipping Pin	35846	1
6	Cable Aircraft 1/8 Dia.	100107	2 ft
7	Cable Clip for 1/8 Dia. Cable	23481	2
8	Blade Assembly	SCM-MRR	Table VI
9	Screw HHC 5/16-18NC x 1 SS	36052	Table VI
10	Washer Flat 5/16 Narrow SS	37724	Table VI
11	Washer Lock Helical Spring 5/16 SS	33055	Table VI
12	Nut Hex 5/16-18NC Narrow SS	37723	Table VI
13	Label Martin Products	38048	2
14 (NS)	Martin® SQC2S™ Tensioner	38664	1
15 (NS)	Manual Operator's	M3820	1
16 (NS)	Split Dust-Tight Door Assembly	38014-SQCMS	1
17 (NS)	Plug for 2.50 Square Tube	34896-02	2

* XX indicates belt width (available in full belt width or belt width less 6 in.).

Table VI. Martin® SQC2S™ Cleaner Assembly Part Numbers and Quantities

Part No.	Qty Item 8	Qty Items 9-12
SQC2MS-XXX12XXXXX	2	4
SQC2MS-XXX18XXXXX	3	6
SQC2MS-XXX24XXXXX	4	8
SQC2MS-XXX30XXXXX	5	10
SQC2MS-XXX35XXXXX	6	12
SQC2MS-XXX41XXXXX	7	14
SQC2MS-XXX47XXXXX	8	16
SQC2MS-XXX53XXXXX	9	18
SQC2MS-XXX59XXXXX	10	20
SQC2MS-XXX65XXXXX	11	22
SQC2MS-XXX71XXXXX	12	24
SQC2MS-XXX77XXXXX	13	26
SQC2MS-XXX83XXXXX	14	28
SQC2MS-XXX89XXXXX	15	30



**Figure 7. Martin® SQC2S™ Cleaner Assembly with Chevron Blades,
P/N SQC2S-XXCXXX7XXX**

Item	Description	Part Number	Qty
1	Mainframe	38657-XXC*	1
2	Blade Cartridge	SQC2MS-35696-XXCH*	1
3	Pin Slotted Spring 1/2 x 3 ZP	33840	1
4	Pin Snap Lock 7/16	33841	1
5 (NS)	Urethane Shipping Pin	35846	1
6	Cable Aircraft 1/8 Dia.	100107	2 ft
7	Cable Clip for 1/8 Dia. Cable	23481	2
8	Blade Assembly	Table VIII	Table VII
9	Washer Flat 5/8 Narrow SS	17154	Table VII
10	Nut Hex Elastic Lock 5/8-11NC SS	24242	Table VII
11	Screw HHC 5/8-11NC x 2-1/2 SS	23351	Table VII
12	Label Martin Products	38048	2
13	Martin® SQC2S™ Tensioner	38664	1
14 (NS)	Manual Operator's	M3820	1
15 (NS)	Split Dust-Tight Door Assembly	38014-SQCS	1
16 (NS)	Plug for 2.50 Square Tube	34896-02	2

* XX indicates belt width (18–96 in.).

**Table VII. Martin® SQC2S™ Cleaner Assembly with Chevron Blades
Part Numbers and Quantities**

Part No.	Qty Items 8,10,11	Qty Item 9
SQC2S-18C14X7XXX	2	4
SQC2S-24C21X7XXX	3	6
SQC2S-30C28X7XXX	4	8
SQC2S-36C35X7XXX	5	10
SQC2S-42C42X7XXX	6	12
SQC2S-48C42X7XXX	6	12
SQC2S-54C49X7XXX	7	14
SQC2S-60C56X7XXX	8	16
SQC2S-72C70X7XXX	10	20
SQC2S-84C77X7XXX	11	22
SQC2S-96C91X7XXX	13	26

Table VIII. Martin® SQC2S™ Cleaner Assembly Chevron Blade Chart

Part No.	P/N Item 8	Blade Color	Blade Material
SQC2S-XXCXXO7XXX	32262	Orange	Polyurethane
SQC2S-XXCXXB7XXX	32262-BR	Brown	Polyurethane
SQC2S-XXCXXG7XXX	32262-GR	Green	Polyurethane
SQC2S-XXCXXN7XXX	32262-NB	Navy Blue	Polyurethane
SQC2S-XXCXXR7XXX	32757	—	Nitrile Rubber

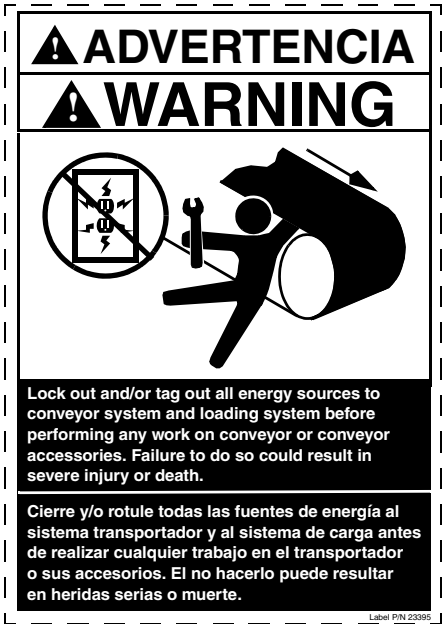


Figure 8. Conveyor Products Warning Label, P/N 23395



Figure 9. Martin® SQC2S™ Tensioning Label, P/N SQC2-10002

Any product, process, or technology described here may be the subject of intellectual property rights reserved by Martin Engineering Company. Trademarks or service marks designated with the ® symbol are registered with the U.S. Patent and Trademark Office and may be proprietary in one or more countries or regions. Other trademarks and service marks belonging to Martin Engineering Company in the United States and/or other countries or regions may be designated with the “TM” and “SM” symbols. Brands, trademarks, and names of other parties, who may or may not be affiliated with, connected to, or endorsed by Martin Engineering Company, are identified wherever possible. Additional information regarding Martin Engineering Company’s intellectual property can be obtained at www.martin-eng.com/trademarks.

Problem Solved™
GUARANTEED!



Martin Engineering USA

One Martin Place
Neponset, IL 61345-9766 USA
800 544 2947 or 309 852 2384
Fax 800 814 1553
www.martin-eng.com

**COMPANY WITH
QUALITY SYSTEM
CERTIFIED BY DNV
= ISO 9001:2008 =**